

S I I K E N[®]



Transforming the way
you cook on board!

Cool induction cooking.

Pots don't slide off.

Easy clean up.

Energy efficient.

Protects glass-top from breakage.

Patent Pending.

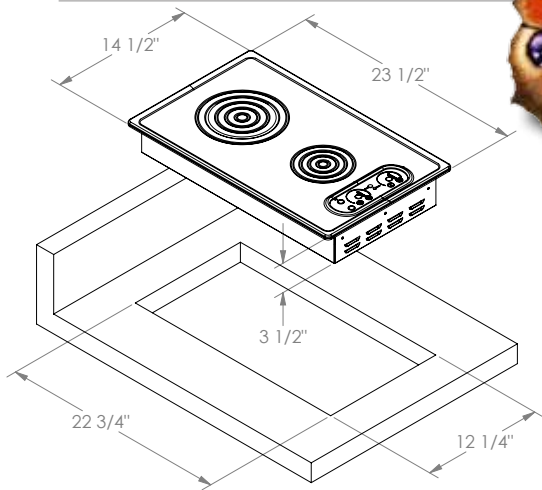


KENYON
Custom[®]



Kenyon International, Inc. building quality
specialty cooking appliances since 1931.

S i l k e n[®]



A Cooking Metamorphosis By Kenyon Custom

Combine induction cooktop technology with modern, high temperature silicone and you have the perfect blend of form and function.

- Easy clean up
- Spill retention
- Pot retention
- Quick heat dissipation
- Safety
- Unlimited color options
- Unlimited design options
- ON/HOT indicator light
- Auto shut-off

SiKEN[®] is a patent pending induction cooktop with high temperature cooking grade silicone mats.

This revolutionary product provides spill retention, pot retention, quick heat dissipation, easy clean up (just throw the SiKEN[®] mats in the dishwasher or sink), unlimited styles, graphics, and colors. The individual SiKEN[®] mats are designed to fit only the Kenyon induction cooktop.

The complete range of Kenyon induction cooktops have a special patent pending recess in the glass-top that allows the SiKEN[®] mats to remain flush and secure.

And as all Kenyon Custom products, backed by uncompromising quality, exclusive 3-year product replacement warranty and the best customer service in the industry.

SiKEN[®] - Black Glass Units

Model B80101 Portrait Mounting

240 volt - 16 amp.
1 - 7" (180mm) @1800 watts
1 - 8 1/2" (210mm) @ 2200 watts

Model B80105 Landscape Mounting

240 volt - 16 amp.
1 - 7" (180mm) @1800 watts
1 - 8 1/2" (210mm) @ 2200 watts

SiKEN[®] - Platinum Glass Units

Model B80201 Portrait Mounting

240 volt - 16 amp.
1 - 7" (180mm) @1800 watts
1 - 8 1/2" (210mm) @ 2200 watts

Model B80205 Landscape Mounting

240 volt - 16 amp.
1 - 7" (180mm) @1800 watts
1 - 8 1/2" (210mm) @ 2200 watts

Overall Dimensions: 23 1/2" x 14 1/2" x 3 1/2"
596.9mm x 368.3mm x 88.9mm
Cutout Dimensions: 22 3/4" x 12 1/4" with 1/4" radius
577.85mm x 311.2mm with 6.4mm radius

Winner of the SAIL Pittman Award,
prestigious DAME Design Award
and 2011 EID Award.



KENYON[®] Custom

Kenyon International, Inc.
P.O. Box 925, Clinton, CT 06413
Tel: 860.664.4906
Fax: 860.664.4907
www.KenyonAppliances.com