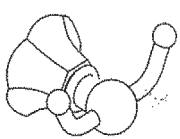
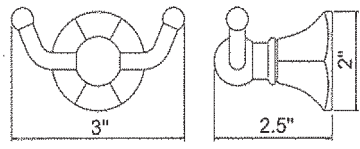
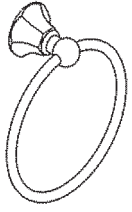
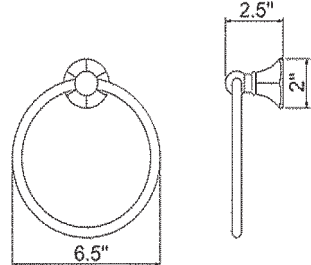
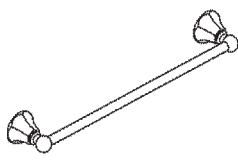
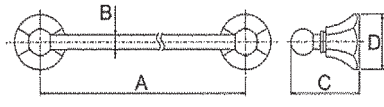
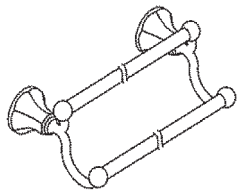
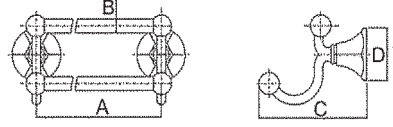
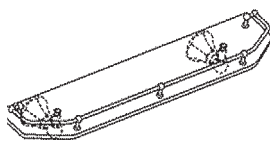
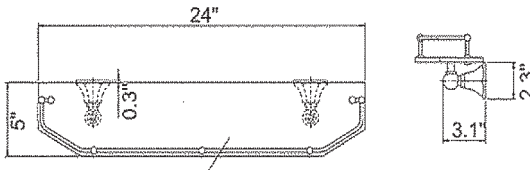
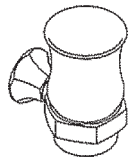
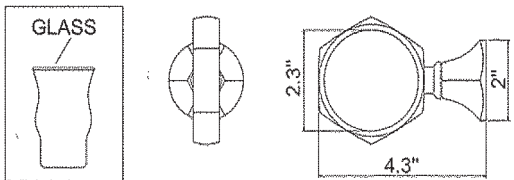


Regent Collection


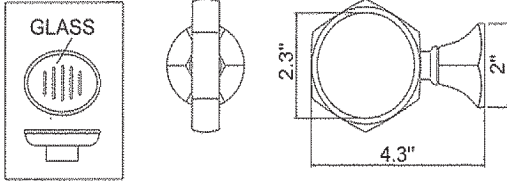
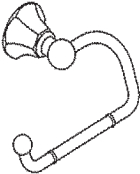
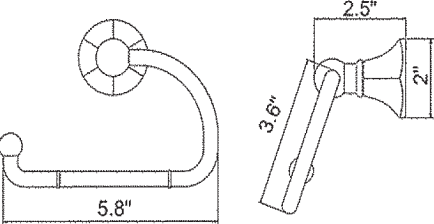
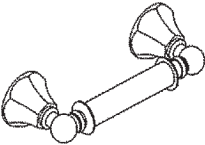
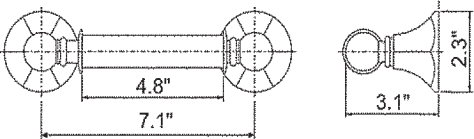
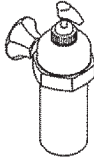
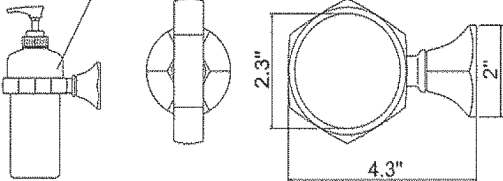
SOLID BRASS BATH ACCESSORIES

Item	Model #	Polished Chrome PC	Polished Brass PB	Satin Nickel SN	Specifications
Robe Hook 	304	\$68	\$62	\$73	
Towel Ring 	308	\$69	\$63	\$74	
Single Towel Bar 					
	310-18	\$96	\$93	\$103	A 18" B 0.6" C 3.1" D 2.3"
	310-24	\$105	\$99	\$117	A 24" B 0.6" C 3.1" D 2.3"
	310-30	\$117	\$112	\$134	A 30" B 0.6" C 3.1" D 2.3"
Double Towel Bar 					
	311-18	\$194	\$189	\$219	A 18" B 0.6" C 5.2" D 2.3"
	311-24	\$211	\$204	\$235	A 24" B 0.6" C 5.2" D 2.3"
	311-30	\$225	\$219	\$250	A 30" B 0.6" C 5.2" D 2.3"
24" Gallery Shelf 	312-24	\$228	\$216	\$244	
Replacement Tempered Glass		\$49	\$49	\$49	GLASS
Tumbler & Holder 	314	\$101	\$96	\$108	
Replacement Glass Cup		\$27	\$27	\$27	GLASS

Regent

Collection

SOLID BRASS BATH ACCESSORIES

Item	Model #	Polished Chrome PC	Polished Brass PB	Satin Nickel SN	Specifications
Soap Dish & Holder 	316	\$101	\$96	\$108	
Replacement Glass Dish		\$27	\$27	\$27	
Open Toilet Paper Holder 	318	\$81	\$76	\$86	
Toilet Paper Holder 	319	\$101	\$96	\$108	
Replacement Roller		\$27	\$27	\$27	
Soap Dispenser 	321	\$99	\$96	\$103	Glass Soap Dispenser 
Replacement Pump		\$27	\$27	\$27	
Replacement Glass Bottle		\$27	\$27	\$27	