



## 5 SERIES BUILT-IN SELECT ELECTRIC OVENS

*Viking Professional 5 Series – VESO/VEDO*

### FEATURES

- Largest oven cavity in the industry makes room for all your cooking needs
- Patented Vari-Speed Dual Flow Convection System™ has the largest fan in the industry; the 8-1/2" two-speed fan works bidirectionally for maximum airflow and excellent cooking results
- Concealed 10-pass dual bake element makes the oven cavity easy to clean while providing precise temperatures
- Rapid Ready™ preheat provides one of the fastest preheat times, so your oven is ready to begin cooking when you are
- Each oven has six porcelain-coated rack positions and comes standard with three oven racks
  - Select models have one TruGlide™ full extension oven rack in each oven (upper oven of double oven)
- Halogen lighting makes it easy to see inside
- 10-pass broiler with heat reflector directs heat directly into the food for quicker results
- High-performance cooking modes include TruConvec™ convection cooking, convection roast, convection bake, convection broil, conventional bake, and three-level conventional broil (convection features in top oven only of double ovens)
- Set the oven to begin cooking up to 24 hours later and shut off when cooking time is complete with the Timed Bake feature
- Self-clean feature on all ovens

### EASY OPERATION AND CLEANUP

- Self-clean oven setting with indicator light
- Large, easy-to-read, commercial-type knobs and bezels
- Heavy-duty oven door handle
- High-density insulation contains heat within the oven cavity for maximum energy savings and performance, even during high-temperature self-cleaning
- Concealed 10-pass dual bake element makes for easy clean up of the oven cavity



### MULTIPLE DESIGN OPTIONS

- Oven can be installed flush to the cabinet with the Flush Mount Installation Kit accessory
- Oven can be installed in a normal application to stand proud from the face of the cabinet

### MODEL NUMBERS

- VESO1302 – Select Electric 30" W. Single Oven
- VEDO1302 – Select Electric 30"W. Double Oven

### ACCESSORIES

- TES0301 – TruGlide full extension oven racks
- P30FTSSS – Flush mount kit for 30"W. Single Oven
- P30FTDSS – Flush mount kit for 30"W. Double Oven

### COLOR FINISHES

- Available in three exclusive color finishes
- Stainless Steel (SS), Black (BK), White (WH),



### WARRANTY

- 3-year full – complete product
- 90-day full – cosmetic parts such as glass, painted items and decorative items
- 5-year limited – electric heating elements



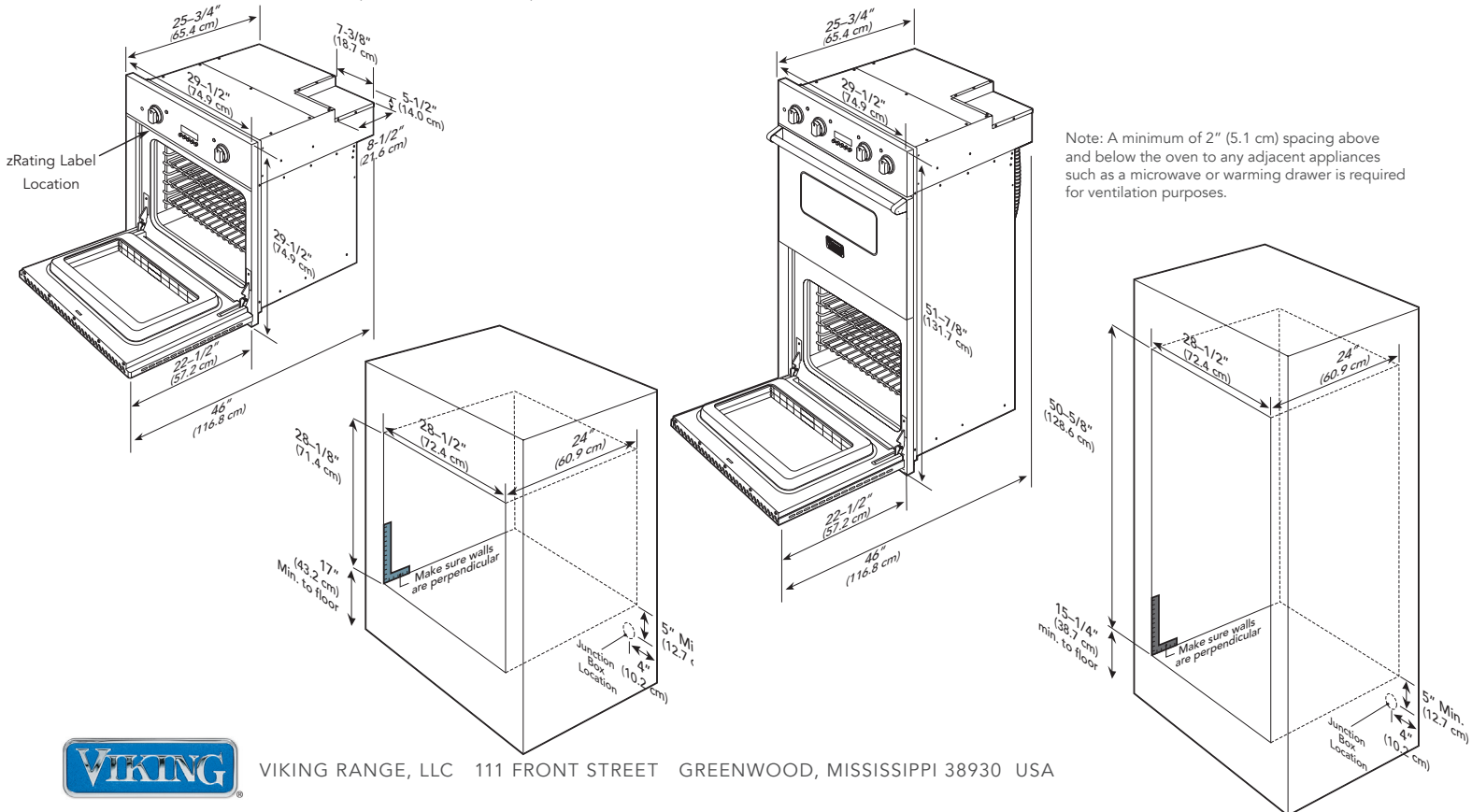


# 5 SERIES BUILT-IN SELECT ELECTRIC OVENS

Viking Professional 5 Series – VESO/VEDO

ELECTRIC 30" WIDE ELECTRIC OVENS		
DESCRIPTION	VESO1302	VEDO1302
Overall Width	29-7/8" (75.9 cm)	29-1/2" (74.9 cm)
Overall Height	29-1/2" (74.9 cm)	51-7/8" (131.7 cm)
Overall Depth from Rear	To edge of door – 25-3/4" (65.4 cm) With door open – 46" (116.8 cm)	To edge of door – 25-3/4" (65.4 cm) With door open – 46" (116.8 cm)
Cutout Width	Standard – 28-1/2" (72.4 cm) Flush mount – 29-15/16" (76.0 cm)	Standard – 28-1/2" (72.4 cm) Flush mount – 29-15/16" (76.0 cm)
Cutout Height	Standard – 28-1/8" (71.4 cm) Flush mount – 30-3/8" (77.2 cm)	Standard – 50-5/8" (128.6 cm) Flush mount – 52-7/8" (134.3 cm)
Cutout Depth	Standard – 24" (61.0 cm) Flush mount – 25-3/4" (65.4 cm)	Standard – 24" (61.0 cm) Flush mount – 25-3/4" (65.4 cm)
Electrical Requirements	4-wire ground, 240VAC, 30-amp electrical connection. Unit equipped with No. 10 ground wire in conduit. Should be fused separately.	4-wire ground, 240VAC, 50-amp electrical connection. Unit equipped with No. 10 ground wire in conduit. Should be fused separately.
Maximum Amp Usage	240VAC – 24.0 amps 208VAC – 20.8 amps	240VAC – 40.0 amps 208VAC – 34.7 amps
Interior Dimensions	Width – 25-5/16" (64.3 cm) Height – 16-1/2" (41.9 cm) Depth – 16-13/16" (42.7 cm) Three racks, six rack positions	Applies to each oven Width – 25-5/16" (64.3 cm) Height – 16-1/2" (41.9 cm) Depth – 16-13/16" (42.7 cm) Three racks, six rack positions
Oven Volume	Overall oven capacity – 4.7 cu. ft. AHAM Standard* – 4.1 cu. ft.	Upper oven Overall oven capacity – 4.7 cu. ft. AHAM Standard* – 4.1 cu. ft. Lower oven Overall oven capacity – 4.7 cu. ft. AHAM Standard* – 4.5 cu. ft. VEDO5302 – 4.1 cu. ft.
Approximate Shipping Weight	278 lb. (126.1 kg)/293 lb. (132.9 kg)	424 lb. (192.3 kg)/449 lb. (203.7 kg)

Please do not prepare installation from brochure data only. See installation instructions for important clearance/installation information.  
\*The AHAM Standard for measuring oven capacity subtracts the door plug and convection baffle dimension from the total oven volume.



VIKING RANGE, LLC 111 FRONT STREET GREENWOOD, MISSISSIPPI 38930 USA

For detailed product information, model numbers, or to request a quote call 1-888-845-4641 or visit [vikingrange.com](http://vikingrange.com)  
© 2014 Viking Range, LLC All rights reserved. Specifications subject to change without notice.