

1. SPECIFICATIONS

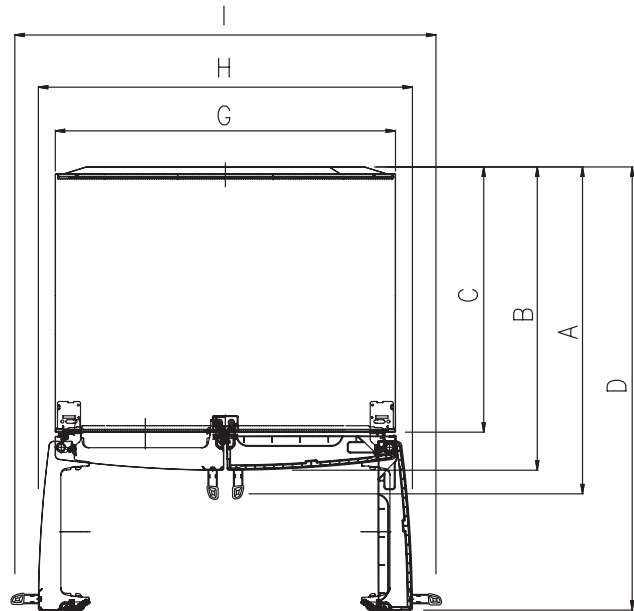
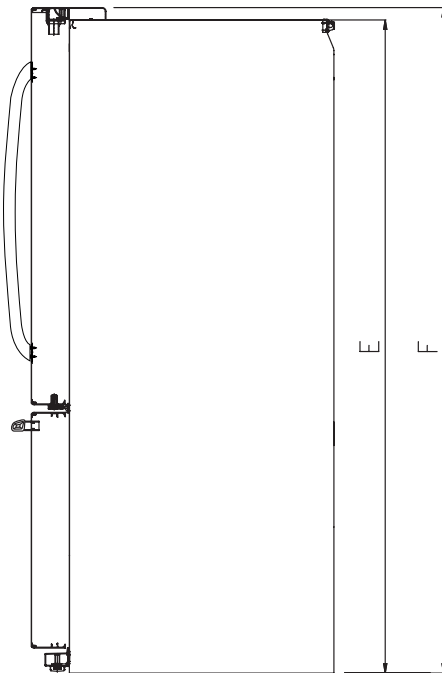
1-1 LFXS30796*

● 29.6 cu.ft.

ITEMS	SPECIFICATIONS
DOOR DESIGN	Side Rounded
DIMENSIONS (inches)	35 3/4 X 36 1/4 X 70 1/4 (WXDXH) 29.6cu.ft.
NET WEIGHT (pounds)	360lb (163kg)
COOLING SYSTEM	Fan Cooling
TEMPERATURE CONTROL	Micom Control
DEFROSTING SYSTEM	Full Automatic Heater Defrost
DOOR FINISH	PCM, VCM, Stainless
HANDLE TYPE	Bar
INNER CASE	ABS Resin
INSULATION	Polyurethane Foam

ITEMS	SPECIFICATIONS	
VEGETABLE TRAY	Clear Drawer Type	
COMPRESSOR	Linear	
EVAPORATOR	Fin Tube Type	
CONDENSER	Spiral Condenser	
REFRIGERANT	R-134a (135 g)	
LUBRICATING OIL	ISO10 (280 ml)	
DEFROSTING DEVICE	SHEATH HEATER	
LAMP	REFRIGERATOR	LED Module
	FREEZER	LED Module

● DIMENSIONS



Description		LFXS30796*
Depth w/ Handles	A	36 1/4 in
Depth w/o Handles	B	33 3/4 in
Depth w/o Door	C	29 1/2 in
Depth (Total with Door Open)	D	48 1/8 in
Height to Top of Case	E	68 7/8 in
Height to Top of Door Hinge	F	70 1/4 in
Width	G	35 3/4 in
Width (door open 90 deg. w/o handle)	H	40 in
Width (door open 90 deg. w/ handle)	I	44 1/4 in