

1.6 Cubic Foot OTR Microwave

HMV1640AHW



Available

Unit Specifications

Width	29.88"
Depth	15.04"
Height	15.75"
Weight	55.1 lb.
UPC	688057374161 (White) 688057374178 (Black)

More Easy-To-Use Features

- 1000 Watts of Cooking Power
- One-Touch Convenience Cooking
- Auto and Time Defrost
- 13.6" Diameter Turntable
- Ducted/Non-Ducted capable
- Charcoal Filter Included

Warranty

- 1 Year Warranty (Parts and Labor)

Signature Features

Hidden Vent

Steamlines the exterior while making it simpler to clean

300 CFM Ventilation

Quickly moves smoke and steam up from the cooktop surface

Express Cook

Quick option to cook for 1-6 minutes at the push of a button

Ten Power Level

Provides a variety of power levels to accommodate all cooking needs.

Available Finishes

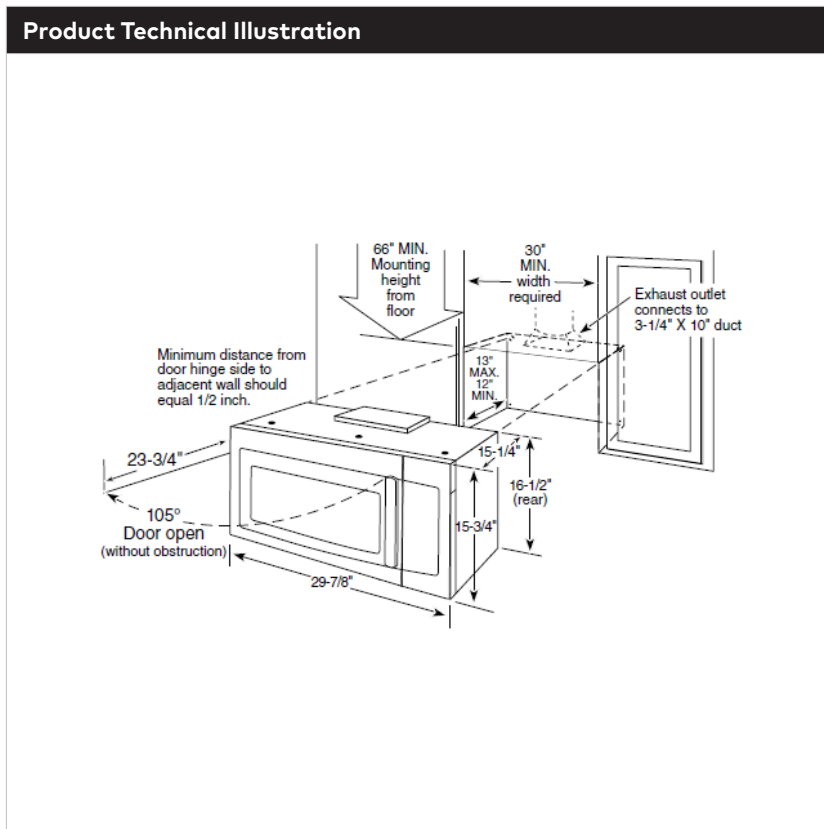


HMV1640AHW



HMV1640AHB

Installation Details		
Packaging	lb./in.	
Unit Weight	55.1 lb	
Cabinet Dimensions	W	Min 30"
	D	13"
	H	16 1/2"
	D*	23 3/4" * Door open 105°
Power Requirements		
Electrical Rating	120V, 60Hz	



General Appliance Information

Please read all installation details and instructions before use.

Contact Us

For questions regarding this product please refer to our website at haieramerica.com or call our customer service center at 877-337-3639.

