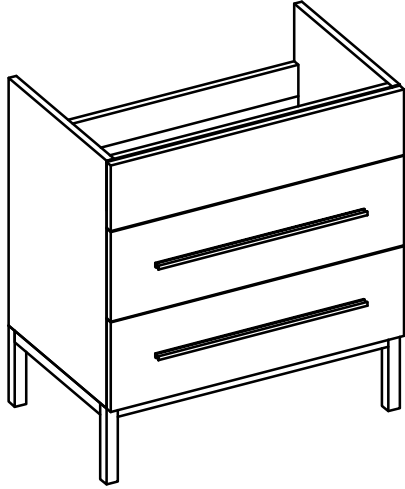


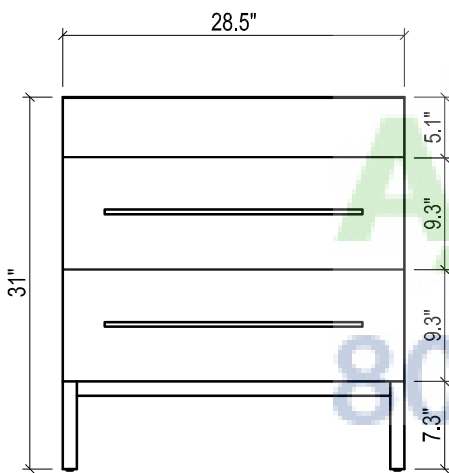
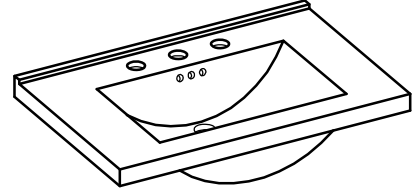
DAYTONA FOR KIRA

- WALL HUNG option is also available for this model.
Vanity height without legs is 23.7".
- Quality metal BLUM (or BLUM equivalent) soft-closing hinges and/or drawer hardware are included.



KIRA CERAMIC SINK

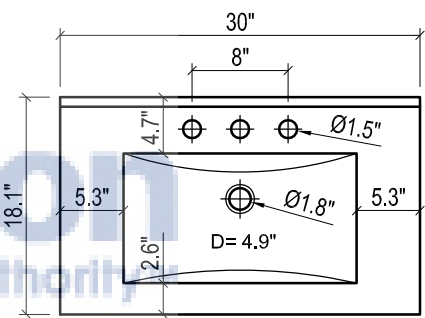
(available in 1 hole or 8" faucet drills)



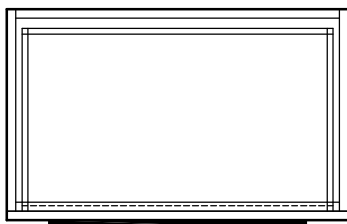
FRONT VIEW



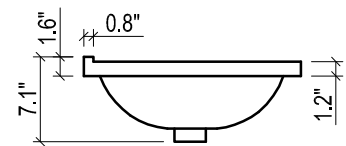
SIDE VIEW



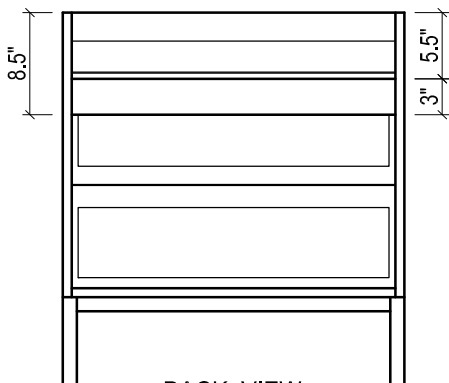
TOP VIEW



TOP VIEW



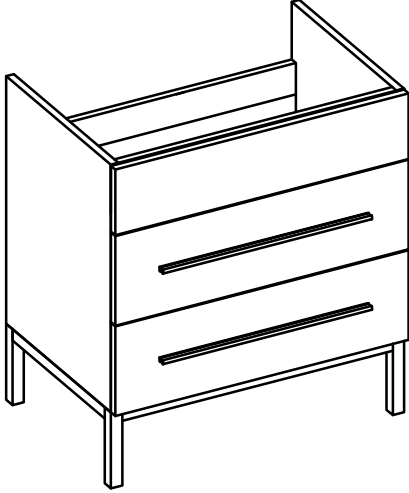
SIDE VIEW



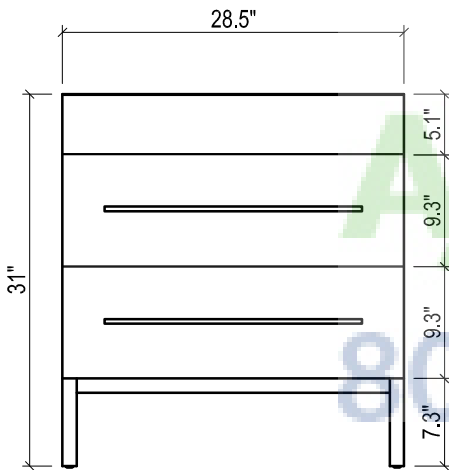
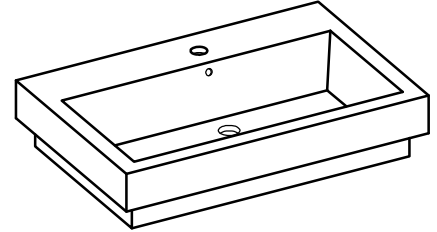
BACK VIEW

DAYTONA FOR MILANO

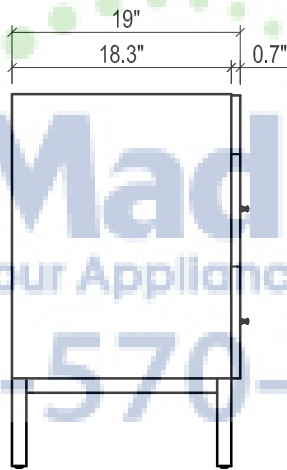
- WALL HUNG option is also available for this model.
Vanity height without legs is 23.7".
- Quality metal BLUM (or BLUM equivalent) soft-closing hinges and/or drawer hardware are included.



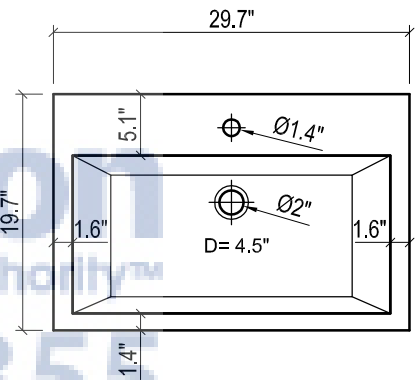
MILANO CERAMIC SINK



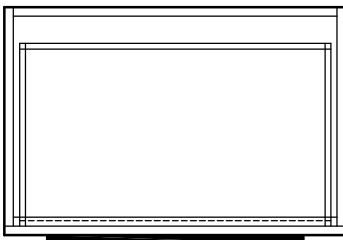
FRONT VIEW



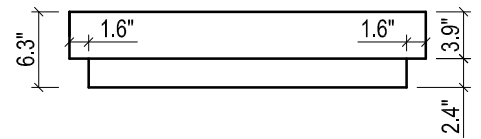
SIDE VIEW



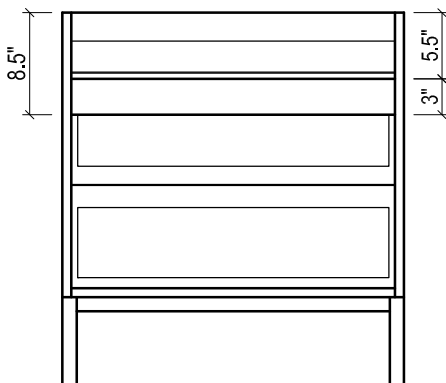
TOP VIEW



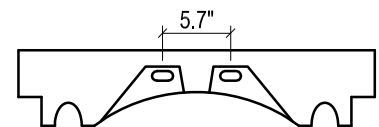
TOP VIEW



FRONT VIEW



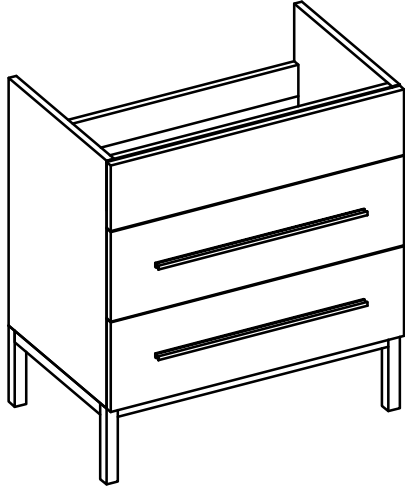
BACK VIEW



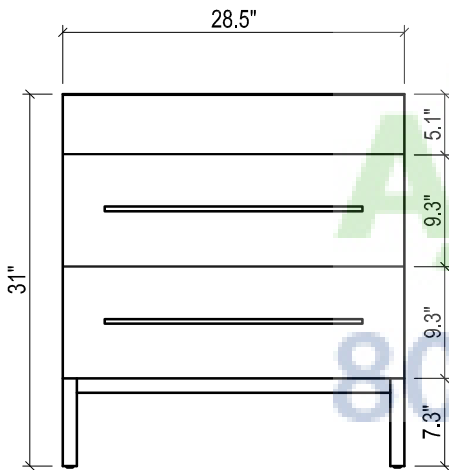
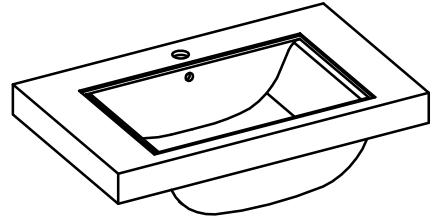
BACK VIEW

DAYTONA FOR VENICE

- WALL HUNG option is also available for this model.
Vanity height without legs is 23.7".
- Quality metal BLUM (or BLUM equivalent) soft-closing hinges and/or drawer hardware are included.



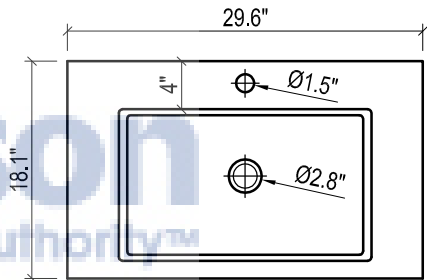
VENICE CERAMIC SINK



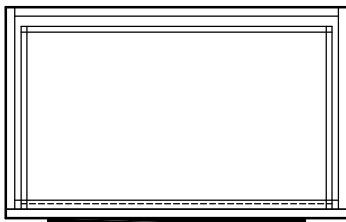
FRONT VIEW



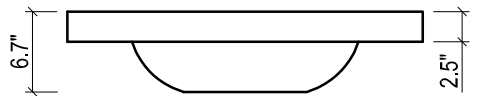
SIDE VIEW



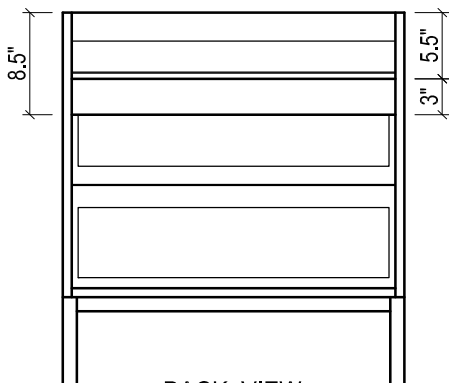
TOP VIEW



TOP VIEW



FRONT VIEW



BACK VIEW