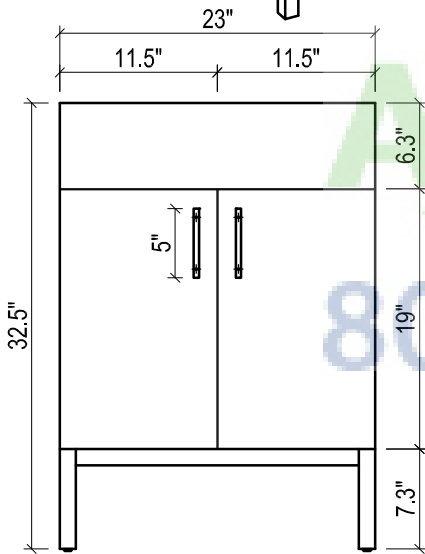
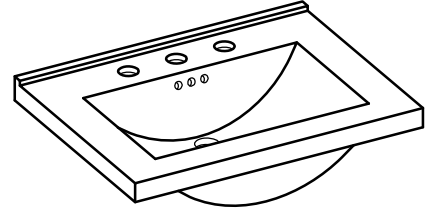
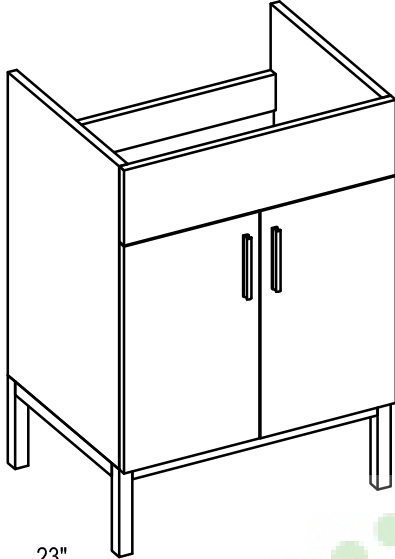


DAYTONA FOR KIRA

- WALL HUNG option is also available for this model.
Vanity height without legs is 25.3".
- Quality metal BLUM (or BLUM equivalent) soft-closing hinges and/or drawer hardware are included.

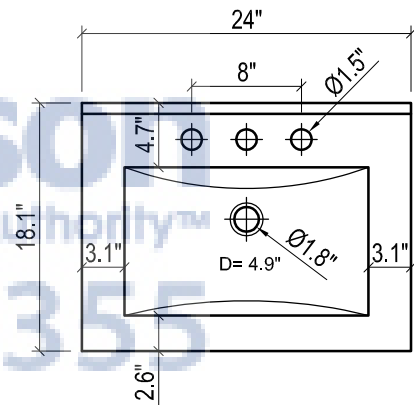
KIRA CERAMIC SINK



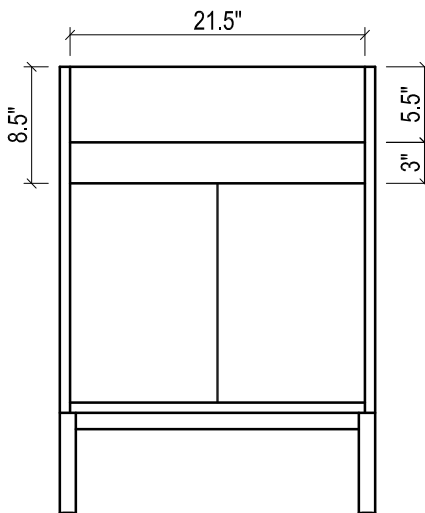
FRONT VIEW



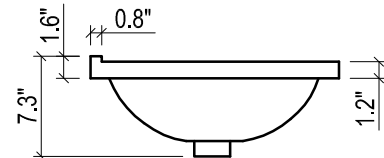
SIDE VIEW



TOP VIEW



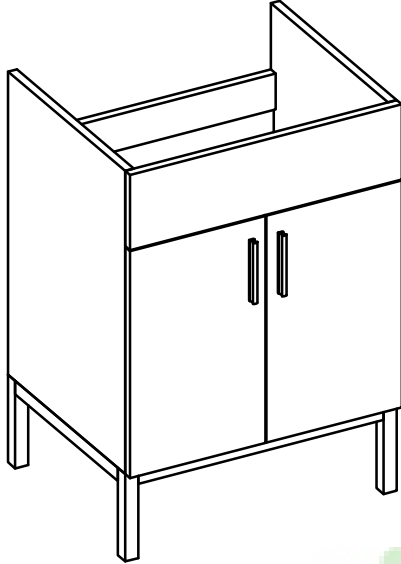
BACK VIEW



SIDE VIEW

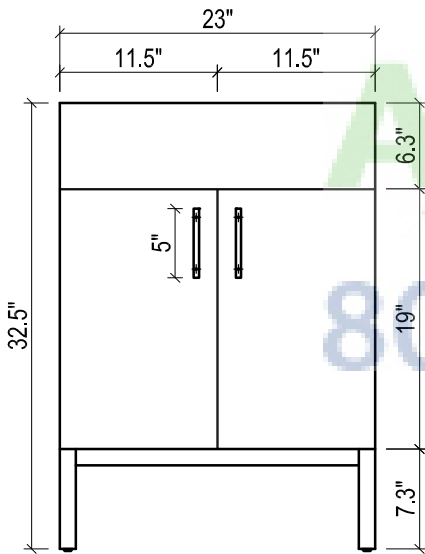
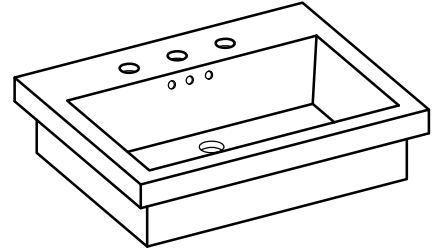
DAYTONA FOR TRIBECA

- WALL HUNG option is also available for this model.
Vanity height without legs is 25.3".
- Quality metal BLUM (or BLUM equivalent) soft-closing hinges and/or drawer hardware are included.



TRIBECA CERAMIC SINK

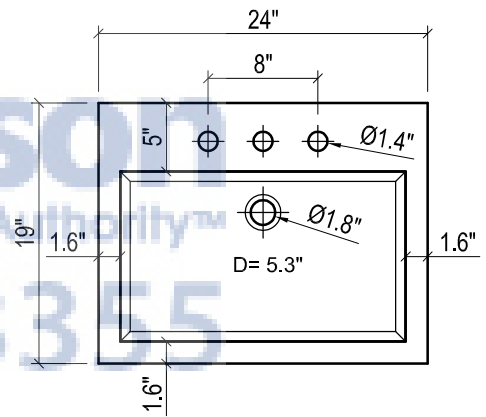
(available in 1 hole or 8" faucet drills)



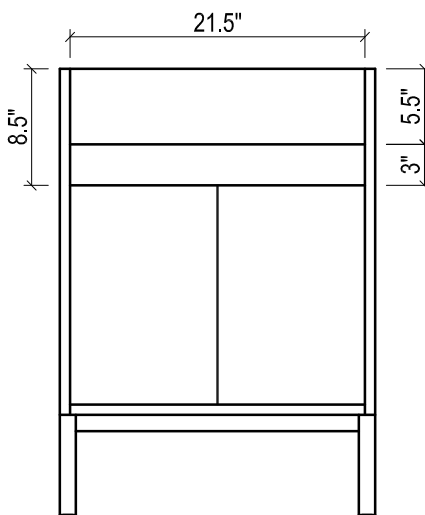
FRONT VIEW



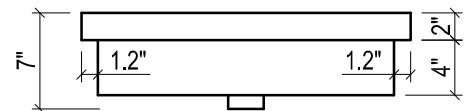
SIDE VIEW



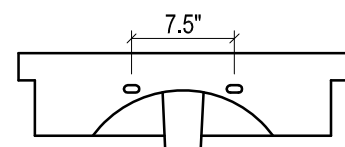
TOP VIEW



BACK VIEW



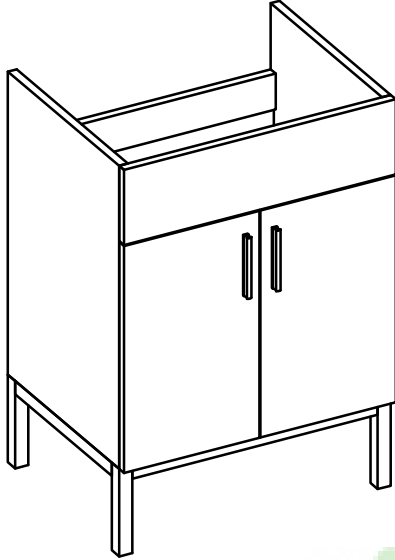
FRONT VIEW



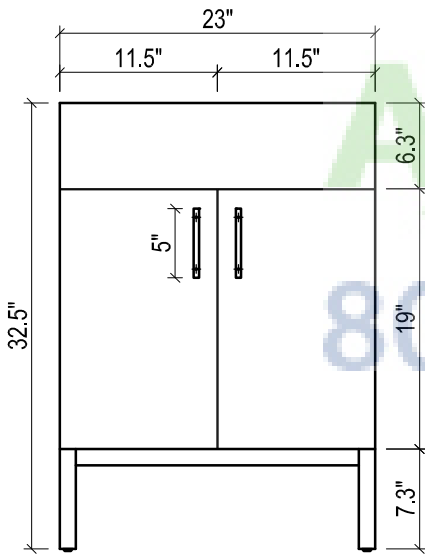
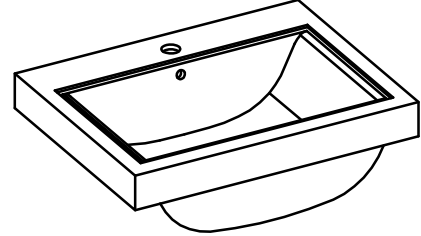
BACK VIEW

DAYTONA FOR VENICE

- WALL HUNG option is also available for this model.
Vanity height without legs is 25.3".
- Quality metal BLUM (or BLUM equivalent) soft-closing hinges and/or drawer hardware are included.



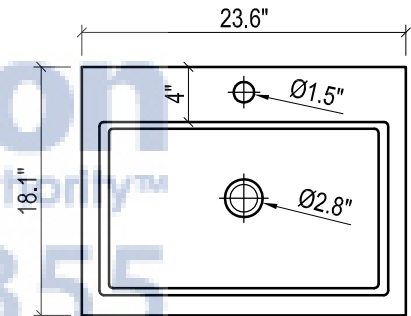
VENICE CERAMIC SINK



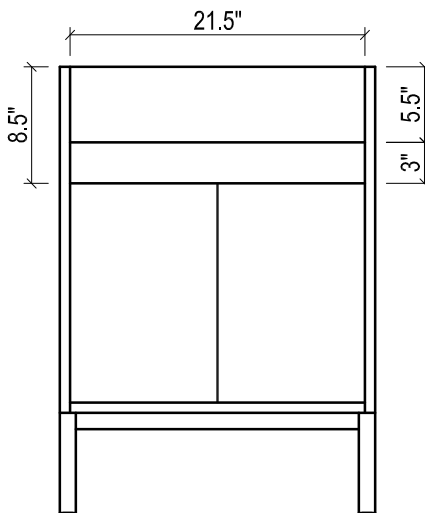
FRONT VIEW



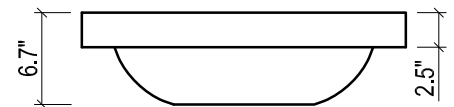
SIDE VIEW



TOP VIEW



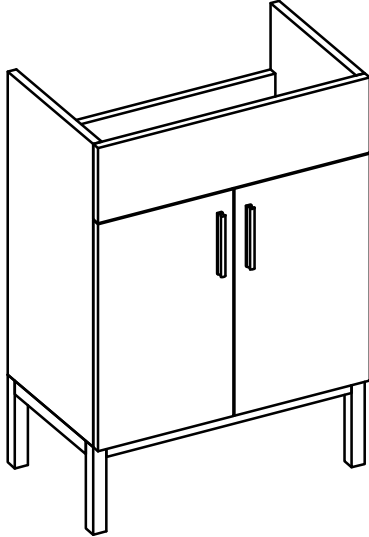
BACK VIEW



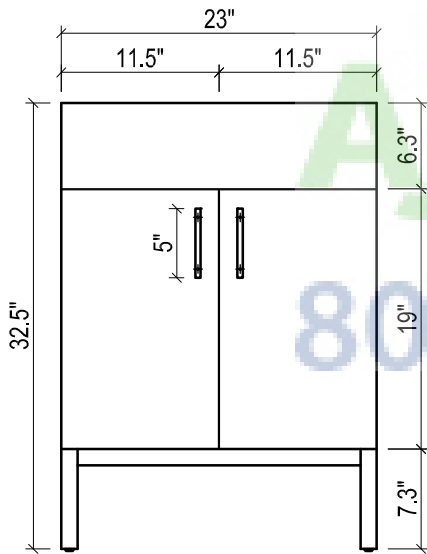
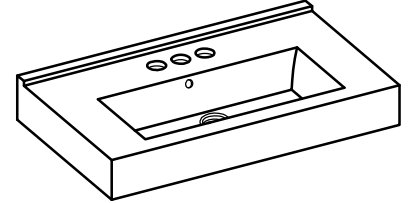
FRONT VIEW

DAYTONA FOR VILLA

- WALL HUNG option is also available for this model.
Vanity height without legs is 25.3".
- Quality metal BLUM (or BLUM equivalent) soft-closing hinges and/or drawer hardware are included.



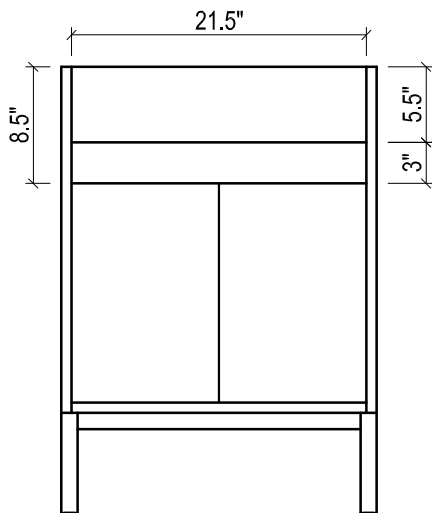
VILLA CERAMIC SINK



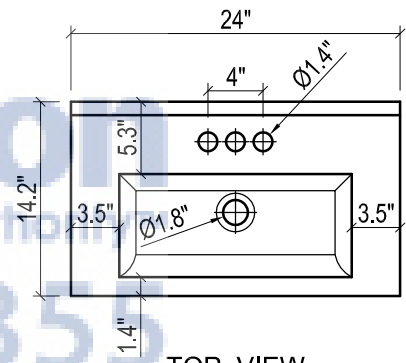
FRONT VIEW



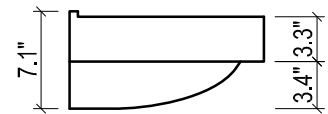
SIDE VIEW



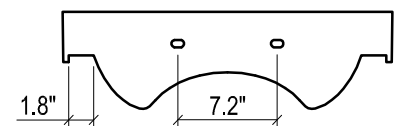
BACK VIEW



TOP VIEW



SIDE VIEW



BACK VIEW