

**DESCRIPTION**

- Metal construction with various finishes identified by suffix
- 1/2" IPS connections will accept standard ball nose connection for 3/8" tubing
- Includes metal pop-up waste assembly
- Includes hot and cold temperature indicator
- Includes optional 3 hole deck plate (escutcheon)
- Designed to be installed through 1, 1-1/8" min. dia. hole

**OPERATION**

- Pivot action lever style handle
- Features a pivoting spout with self-centering feature
- Temperature controlled through 180° arc of handle travel

**FLOW**

- Flow is limited to 1.5 gpm max (5.7 L/min) at 60 psi, for products made before October 2008 flow is limited to 2.2 gpm max. (8.3 L/min)

**CARTRIDGE**

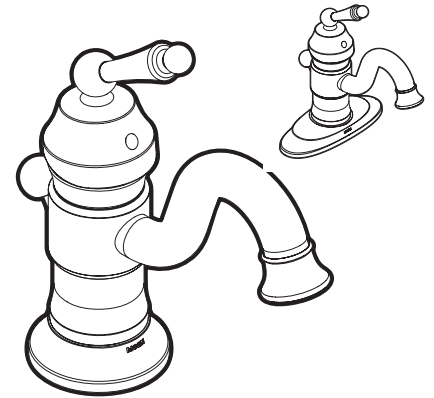
- 1225 cartridge design with nonmetallic/nonferrous and stainless steel materials

**STANDARDS**

- Third party certified to WaterSense®, CSA B125.1, ASME A112.18.1, ICC A117.1 and all applicable requirements referenced therein
- Certified to ANSI/NSF 61/9
- Complies with California Proposition 65 and with the Federal Safe Drinking Water Act
- ADA ♿ for lever handle

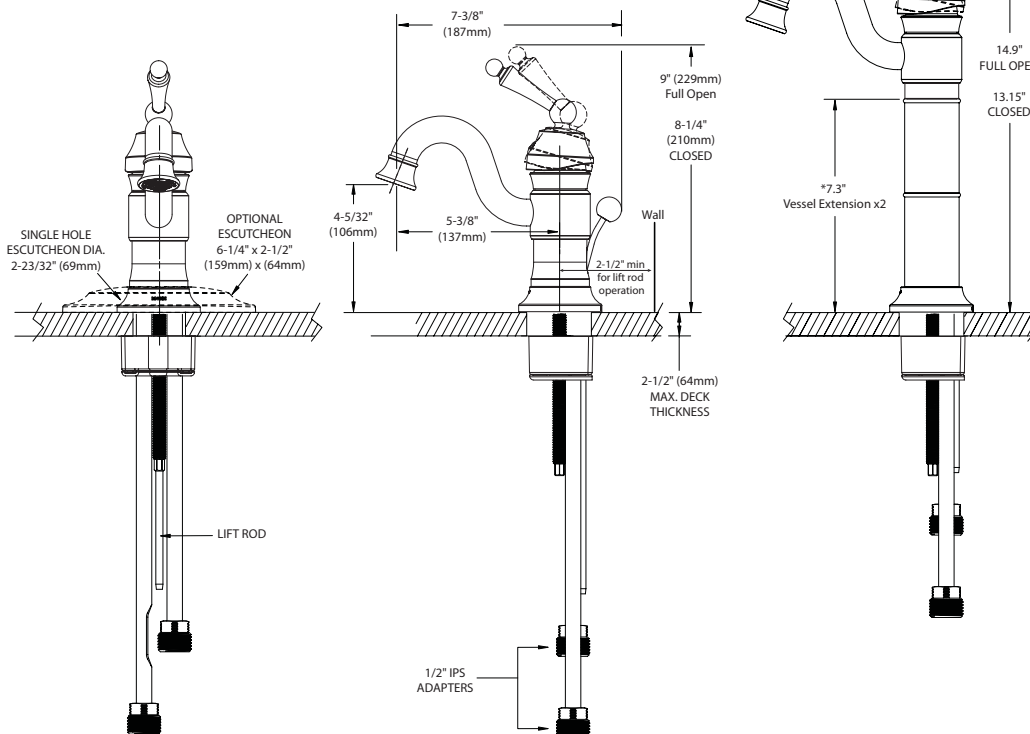
**WARRANTY**

- Lifetime limited warranty against leaks, drips and finish defects to the original consumer purchaser
- 5 year warranty if used in commercial installations



**Waterhill™**  
**Single-Handle Lavatory Faucet**  
**Models: S411 series**

\* Use S115 Extension Kit for Vessel Sink Applications



**CRITICAL DIMENSIONS**

(DO NOT SCALE)