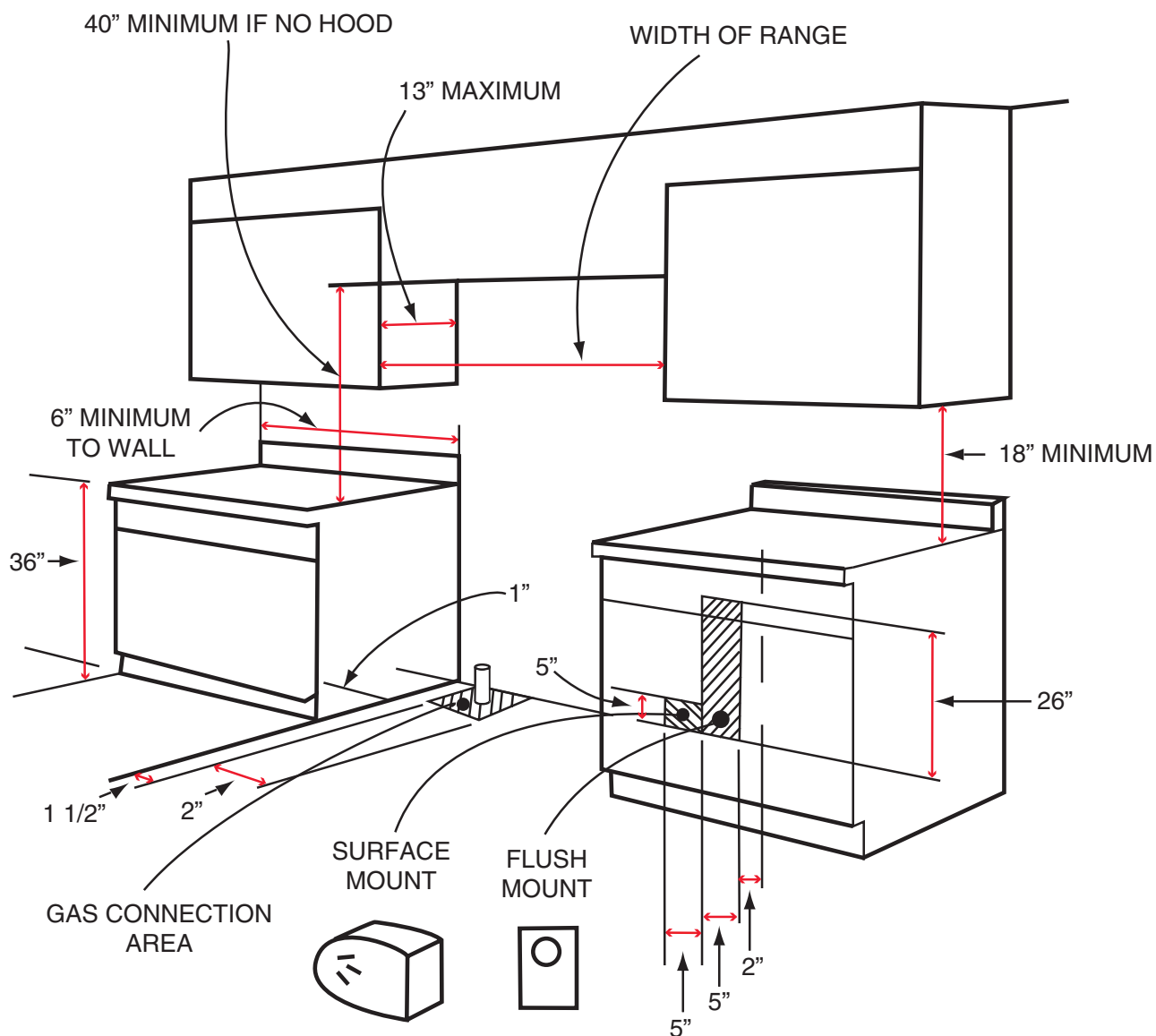


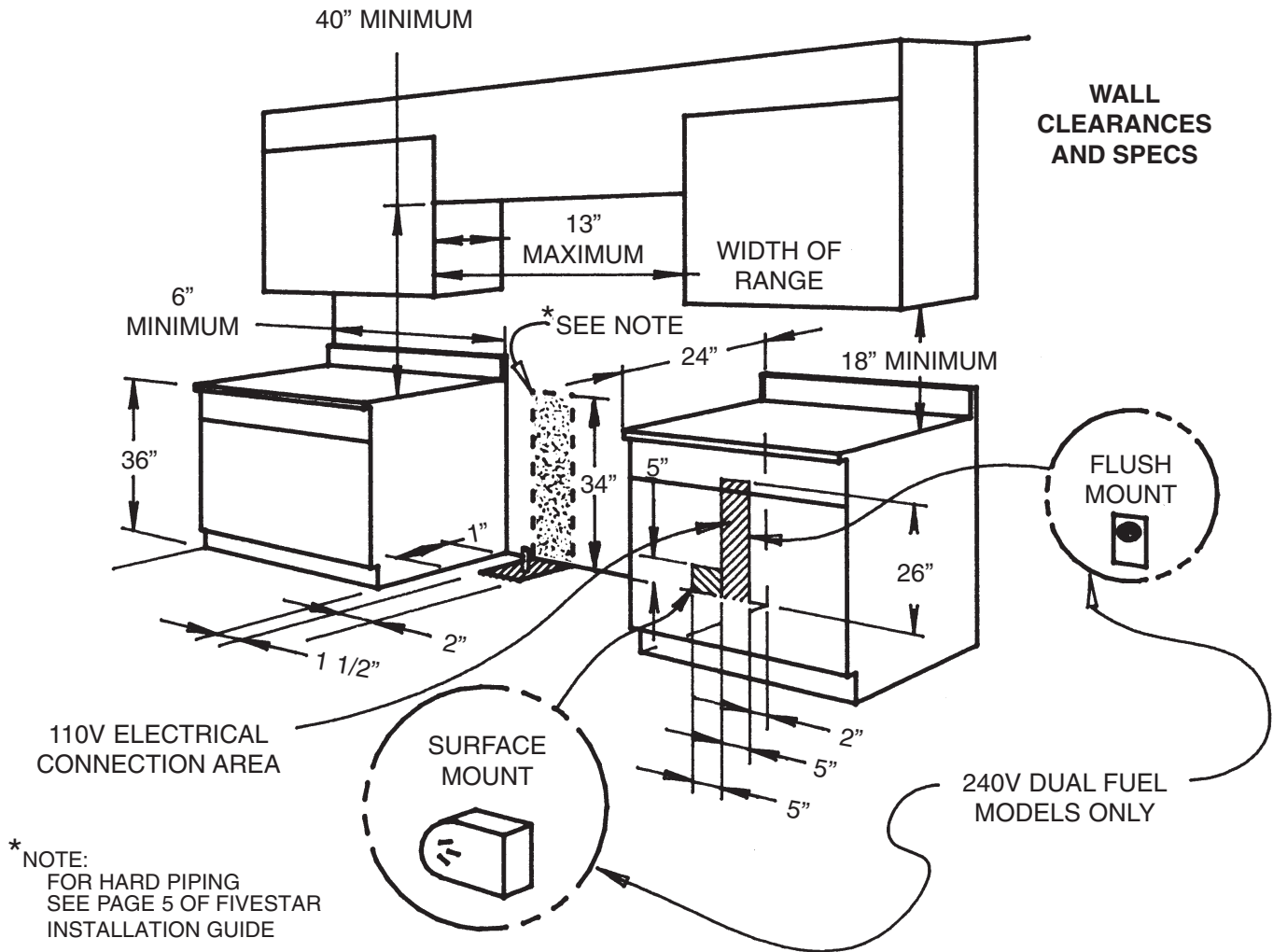
RANGE DIMENSION GUIDE



110V ELECTRICAL CONNECTION AREA
240V DUAL-FUEL MODELS ONLY

USE 24" DEEP
BASE CABINETS

CLEARANCES AND SPECS



CABINET CUT-OUT SPECS

24" RANGE = 24 3/16"	48" RANGE = 48 3/16"
30" RANGE = 30 3/16"	60" RANGE = 60 3/16"
36" RANGE = 36 3/16"	

REAR WALL CLEARANCES SPECS

BACKGUARD HEIGHT (A): 11"
 REAR WALL SPACING (B) ABOVE COOKING SURFACE: 0"

BACKGUARD HEIGHT (A): 4"
 REAR WALL SPACING (B) ABOVE COOKING SURFACE:
 1" ON SEALED BURNER MODELS
 0" ON STANDARD BURNER MODELS

