

# GSM1860NSS

## GE® 18" Built-In Dishwasher

### Dimensions and Installation Information (in inches)

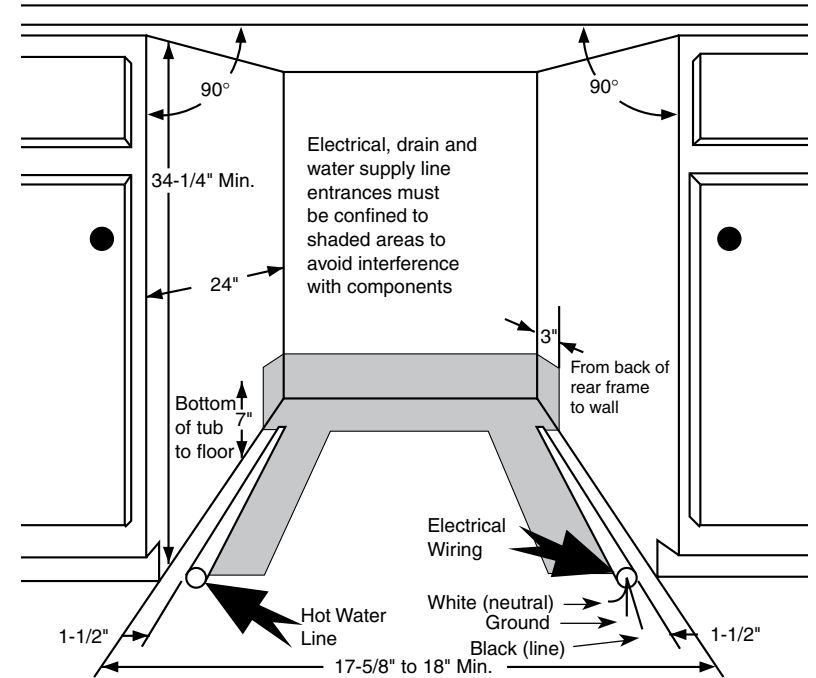
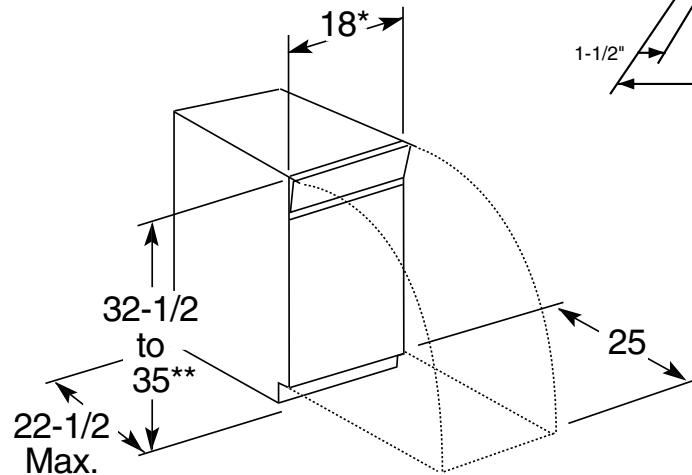
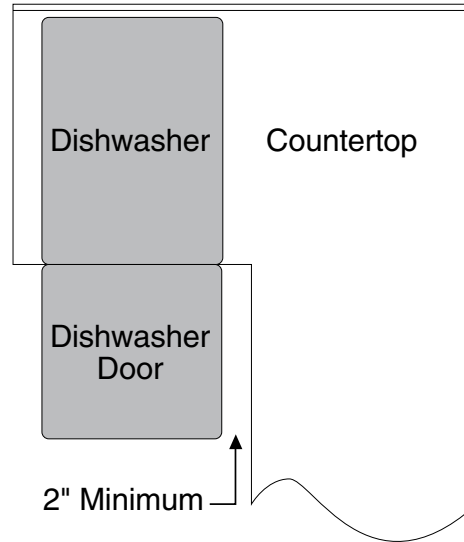
#### Electrical Rating

Voltage AC.....	120
Hertz.....	60
Total connected load amperage.....	9.0
Calrod® heater watts max.....	550

For use on adequately wired 120-volt, 15-amp circuit having 2-wire service with a separate ground wire. This appliance must be grounded for safe operation.

**Note:** Dishwasher must not be installed more than 10 feet from sink for proper drainage. All plumbing and electrical work must be in accordance with local codes.

**Installation Information:** Before installing, consult installation instructions packed with product for current dimensional data.



\*Width adjustable from 17-5/8" to 18".  
 \*\*Meets ADA countertop height requirement of 34".

For answers to your Monogram®, GE Profile™ or GE® appliance questions, visit our website at [ge.com](http://ge.com) or call GE Answer Center® service, 800.626.2000.



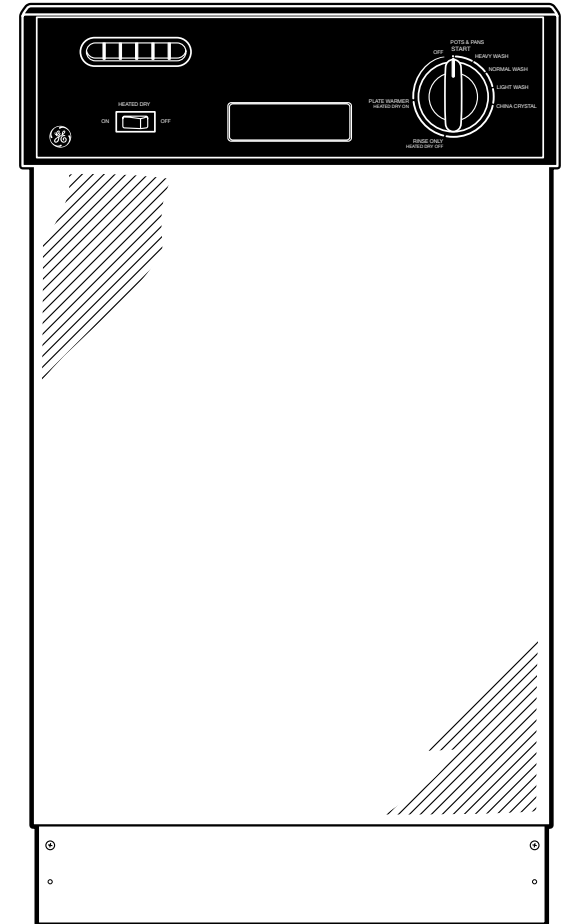
As an ENERGY STAR® partner, GE has determined that this product meets the ENERGY STAR guidelines for energy efficiency.

# GSM1860NSS

## GE® 18" Built-In Dishwasher

### Features and Benefits

- Meets 2007 ENERGY STAR® Criteria – Can reduce utility bill by using less water to get dishes clean
- Bright Annealed Stainless Steel Interior – A lustrous finish and lasting beauty that resists stains and corrosion
- Full-Length Flat Door – Blends almost seamlessly with adjacent cabinetry
- Nylon Racks – Heavy-duty design secures and protects dishes during each cycle
- Removable Upper Rack – Pulls out completely to allow for washing large items
- China/Crystal Selection – Protects delicate glassware and dishes by lowering the water temperature during the cycle
- Pots and Pans Cycle – Scours off burned-on food with hot water and maximum water pressure
- ADA-Compliant for Height – Designed for easy access and operation
- Model GSM1860NSS -Stainless steel



imagination at work