

Job Name/Location:

Tag #:

Date:

For: File Resubmit

PO No.:

Approval Other _____

Architect:

GC:

Engr:

Mech:

Rep:

(Company)

(Project Manager)



LMAN186HVT
Flex Multi ArtCool™ Mirror
18,000 Btu/h Indoor Unit



Performance:

Nominal Capacity (Btu/h)	18,000
--------------------------	--------

Cooling Nominal Test Conditions:

Indoor: 80°F DB/67°F WB

Outdoor: 95°F DB/75°F WB

Heating Nominal Test Conditions:

Indoor: 70°F DB/60°F WB

Outdoor: 47°F DB/43°F WB

Electrical:

Power Supply (V ¹ /Hz/Ø)	208-230/60/1
Rated Amps (A)	0.30

Piping:

Liquid Line (in, OD)	1/4
Vapor Line (in, OD)	1/2
Drain OD, ID (in)	13/16, 5/8
Temperature Sensor	Thermistor
Max Length Each Pipe (ft)	82
Max Elevation between ODU and IDU (ft)	49.2
Max Elevation between IDU and IDU (ft)	24.6

ODU - Outdoor Unit IDU - Indoor Unit

Features:

- 24-Hour on/off timer
- Auto operation
- Auto restart
- Chaos Swing
- Inverter (variable speed fan)
- Jet Cool/Jet Heat
- Plasma air purifying system
- Self-cleaning indoor coil

Optional Accessories:

- 7-Day Programmable Controller (Black) - PQRCSVLO
- 7-Day Programmable Controller (White) - PQRCSVLOQW
- Simple Controller with Mode (Black) - PQRCSVLOQ
- Simple Controller with Mode (White) - PQRCSVLOQW
- Simple Controller without Mode (Black) PQRCHCA0Q
- Simple Controller without Mode (White) - PQRCHCA0QW
- AC Smart II - PQCSW320A1E
- ACP without Digital I/O - PQCPA11A03
- ACP with Digital I/O - PQCPB11A0E
- LonWorks Gateway - PQNFB16A1
- BACnet Gateway - PQNFB17B0
- AC Ez - PQCSZ250S0
- Dry Contact Unit (1 contact, 24 VAC external power) - PQDSB1
- Dry Contact Unit (2 input, power from indoor unit) - PQDSBC
- Dry Contact for third party thermostat - PQDSBNGCM1

Operating Range:

Cooling (°F WB)	54-76
Heating (°F DB)	61-86

Unit Data:

Refrigerant Type	R410A
Refrigerant Control	EEV
Sound Pressure H/M/L (±3 dB(A))	37/33/28
Primary Filter	Washable Pre-filter
Secondary Filter	Plasma
Net Unit Weight (lbs)	35
Shipping Weight (lbs)	39
Communication Cable (No x AWG)	4 x 18

AWG - American Wire Gage

Fan:

Type	Cross Flow
Quantity	1
Motor/Drive	Brushless Digitally Controlled/Direct
Airflow Rate H/M/L (CFM)	572/501/434
Dehumidification Rate (pts/h)	4.0

Standard Features:

- Limited Warranty with LG Certified Installation
- Limited Two Year Functional Parts Warranty

Notes:

1. Acceptable operating voltage: 187V - 253V.
2. See Engineering Manual for sensible and latent capacities.
3. Sound Pressure levels are tested in an anechoic chamber under ISO Standard 1996.
4. All communication cable to be minimum 18 AWG, 2-conductor, stranded, shielded and must comply with applicable local and national code.
5. Power wiring cable size must comply with the applicable local and national code.
6. This unit comes with a dry helium charge.
7. This data is rated 0 ft above sea level, with 24.6 ft of refrigerant line per indoor unit and a 0 ft level difference between outdoor and indoor units. All capacities are net with a combination ratio between 95 – 105%.
8. Must follow installation instructions in the applicable LG installation manual.



Job Name/Location:

LMAN186HVT

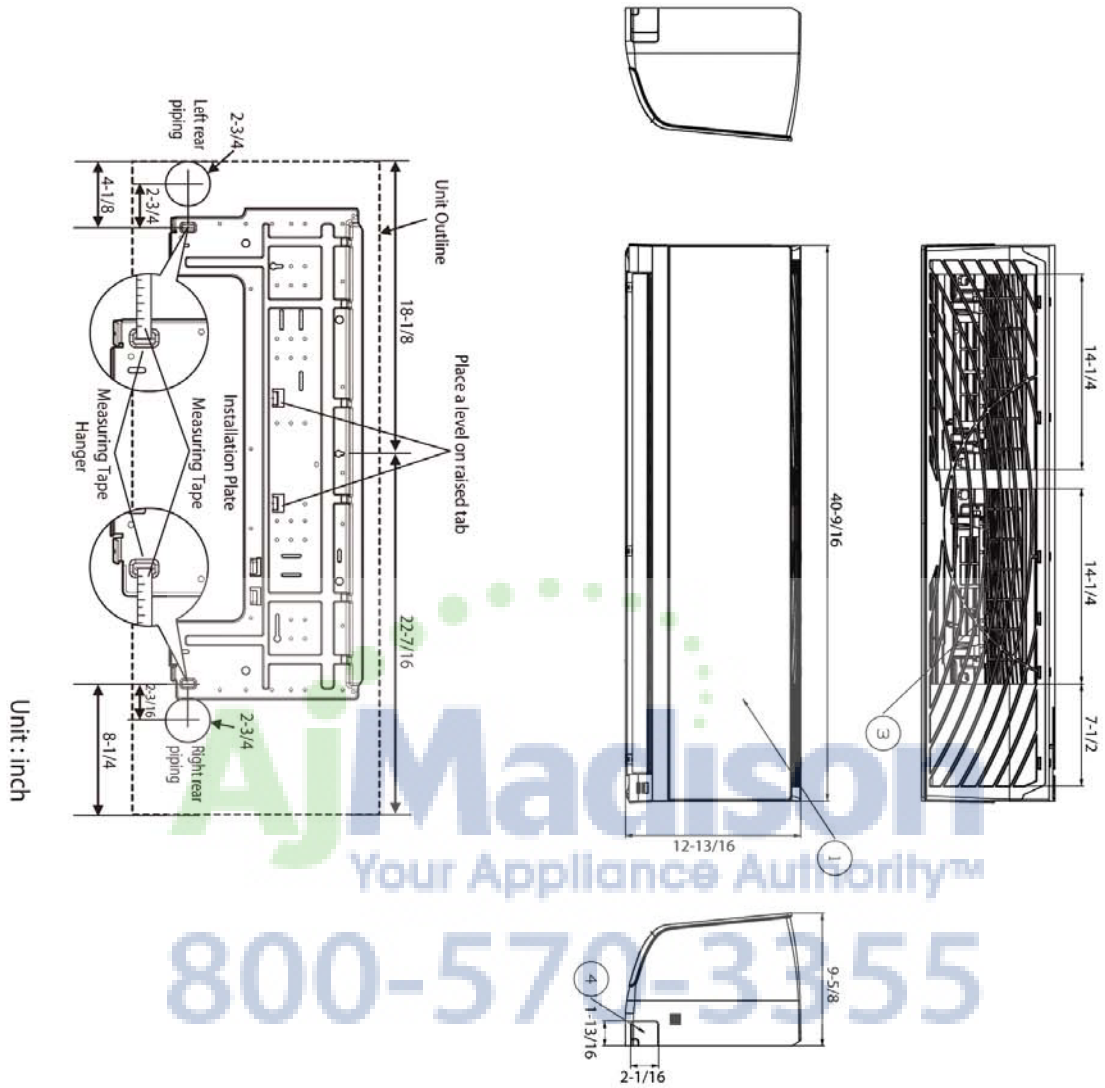
Flex Multi ArtCool™ Mirror
18,000 Btu/h Indoor Unit



Tag #:

Date:

PO No.:



Aj Madison
Your Appliance Authority™
800-570-3355

No.	Part Name	Remarks
1	Front panel	
2	Display & signal receiver	
3	Air suction grille	
4	Knockout hole	
5	Installation plate	