

# Superba® Series Dishwasher



Stainless Steel  
KUDS30SXSS

**25% Better Results**  
vs. the Competition\*

## Hard Water Softener

The integrated hard water softener automatically dispenses the correct amount of softener crystals after an initial calibration. The crystals remove hard minerals from the water, leaving dishes and glasses clean and virtually spot-free. Uses water softener salt specifically formulated for the dishwasher.

## ProScrub® Option

This innovation uses 36 targeted spray jets at the back of the dishwasher to master stubborn messes like seared, caramelized, or baked-on foods. Pots and pans don't need soaking or pre-scrubbing before they're washed in the dishwasher.

## Adjustable Upper Rack with SatinGlide® System and Premium Adjusters

Rails that give the rack its smooth, fluid movement are the key to this system. Wheels on each side of the rack snugly fit into the rails to allow easy and even motion. Premium adjusters are located on either side of the upper rack and release the rack on the rails, making it easy to raise or lower it with the touch of a finger.



FOR THE WAY IT'S MADE.®

Available 1st Quarter 2011

## Architect® Series II KUDS30SX – 49 dBA\*\*

### Performance

- Built-In Hard Food Disposer
- Hard Water Softener
- 4 Cycles (Heavy Duty, Normal, One Hour Wash, Light/China)
- 6 Options (ProScrub®, Sani-Rinse, Hi-Temp Scrub, Heat Dry, 4 Hour Delay, Control Lock)
- Dedicated Drying System with Heat Dry Option
- Optimum Wash Sensor
- AquaSense™ Fill System
- Whisper Quiet® 49 Sound Insulation System

### Craftsmanship & Design

- Fully Integrated Console with Display
- Architect® Series II Handle
- Tall Tub with Stainless Steel Interior
- 4 Stainless Steel Wash Arms
- 15 Place Setting Capacity
- Light-Touch Controls with Audio Feedback
- LED Status Display
- Flood Protection Technology
- ENERGY STAR® Qualified
- CEE Tier 2 Qualified

### Upper and Lower Racks

- DuraKote™ Nylon-Coated Racks
- Cushion-Tip™ Tines

### Upper Rack

- Adjustable with SatinGlide® System and Premium Adjusters
- Robust Handle with Stainless Steel Insert
- 2 Fold-Down Rows with Two-Position Tines
- 4 Sure-Hold® Light Items Clips
- 2 Fold-Down Plastic Cup Shelves with Integrated Stemware Holders

### Lower Rack

- 2 Fold-Down Rows with Two- and Three-Position Tines
- Culinary Caddy® Utensil Basket
- Exclusive Silverware Basket Design with Four Sliding Covers

### Colors

- White (WH), Black (BL), Stainless Steel (SS)

\*Combined wash and dry results of leading premium brands' highest MSRP models; dry testing conducted without rinse aid.

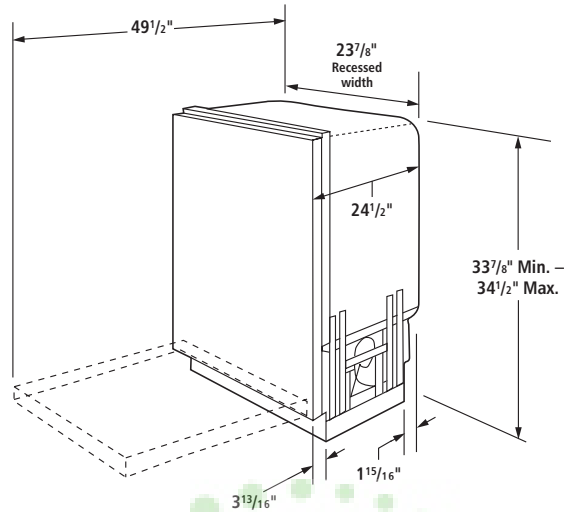
\*\*Per IEC standards, normal cycle.

®ENERGY STAR is a U.S. registered mark.

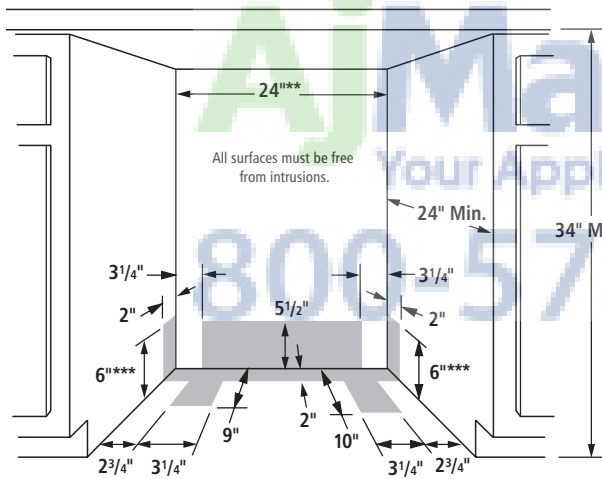
# Superba® Series Dishwasher

## KUDS30SX

### PRODUCT DIMENSIONS



### CUTOUT DIMENSIONS



### HANDLE

The following handle is available as an optional accessory.

**Towel Bar Handle**  
Stainless Steel – W10320831

\*Measured from the lowest point on the underside of countertop. May be reduced to 33 7/8" by removing wheels from dishwasher.

\*\*Minimum, measured from narrowest point of opening.

\*\*\*May be increased to 6 7/8" if height of opening is 34 1/2" at its lowest point.

Cut openings in shaded area of cabinet walls or floor as specified in chart:

OPENING FOR:	DIAMETER:
water line	1/2"
drain line	1 1/2"
direct wire	3/4"
power supply cord	1 1/2"

Dimensions are for planning purposes only. For complete details, see Installation Instructions packed with product. Specifications subject to change without notice.

For additional information about KitchenAid® appliances, visit [KitchenAid.com](http://KitchenAid.com) or call the Customer Experience Center at 800-422-1230. We'll help you select the ideal model and answer questions about appliance operation and performance.

**KitchenAid®**  
FOR THE WAY IT'S MADE.™

®Registered trademark/™Trademark/the shape of the stand mixer is a registered trademark of KitchenAid, U.S.A.

©2010. All rights reserved.

KitchenAid • Benton Harbor, Michigan 49022 U.S.A.

®ENERGY STAR is a U.S. registered mark.

