

DAYTON SPECIFICATIONS

Kingsford® Double Bowl Sink Model K23319 Series

GENERAL

Sink is formed of #23 gauge, type 301 series, nickel-bearing stainless steel. Top mount.

DESIGN FEATURES

Bowl Depth: 6-1/16" (154mm)

Coved Corners: 2-1/2" (64mm) vertical radius and 2-3/4" (70 mm) horizontal radius.

Finish: Exposed surfaces are polished to a Satin finish.

Underside: Undercoated on bottom of bowls.

OTHER

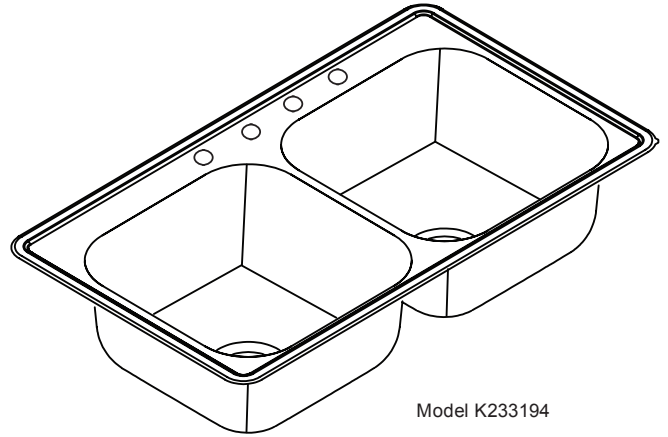
Drain Opening: 3-1/2" (89mm)

Installation Hardware: Included for 3/4" (19mm) countertop.

OPTIONAL ACCESSORIES

Bottom Grid: GBG1414SS

Drain: LK35, D1125



Model K233194

Sink complies with ASME A112.19.3-2008 / CSA B45.4-08.



These sinks are listed by the International Association of Plumbing and Mechanical Officials as meeting the requirements of the Uniform Plumbing Code and the National Plumbing Code of Canada.



**SINKS ARE
MADE IN THE USA**

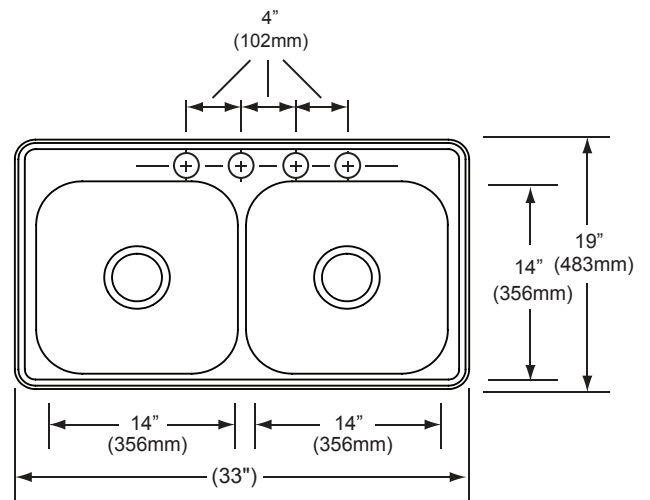
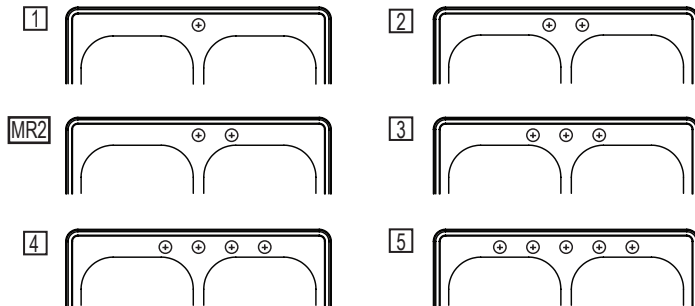
SINK DIMENSIONS (INCHES)*

Model Number	Overall		Inside Each Bowl			Cutout in Countertop (1-1/2" (38mm) Radius Corners)		No. of 1-1/2" (38mm) Dia. Faucet Holes 4" (102mm) Center	Minimum Cabinet Size
	L	W	L	W	D	L	W		
	K23319	33 (838mm)	19 (483mm)	14 (356mm)	14 (356mm)	6-1/16 (154mm)	32-3/8 (822mm)		

*Length is left to right. Width is front to back.

Hole Drilling Configurations

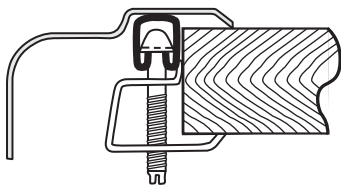
1-1/2" (38mm) Diameter Faucet Holes on 4" (102mm) Centers



Bowl Depth is 6-1/16"

Model K233194 Illustrated

U-Channel Type Mounting System



In keeping with our policy of continuing product improvement, Elkay reserves the right to change product specifications without notice.

This specification describes an Elkay product with design, quality and functional benefits to the user. When making a comparison of other producers' offerings, be certain these features are not overlooked.

Elkay

www.elkayusa.com

2222 Camden Court
Oak Brook, IL 60523

Printed in U.S.A.
©2011 Elkay

(Rev. 6/11) 2-80A