



ISLAND ENCLOSURE

ASSEMBLY INSTRUCTIONS

INSTALLER: Leave these instructions with consumer.
CONSUMER: Retain for future reference.

IMPORTANT: READ THESE INSTRUCTIONS CAREFULLY BEFORE STARTING ASSEMBLY.



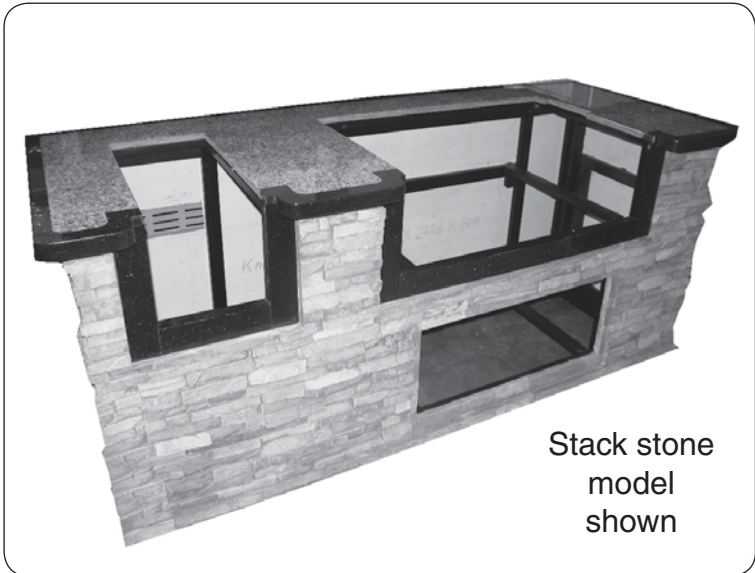
Brick model shown

5 foot island

- Available in brick and stack stone models
- Compatible with the following Fire Magic products:
 - A430i grill series
 - All 20 1/2" x 14" storage doors
 - Drop-in blender
 - Drop-in sideburner

7 foot island

- Available in brick and stack stone models
- Compatible with the following Fire Magic products:
 - A790i/E790i grill series
 - All 20 1/2" x 14" storage doors
 - All 30 1/2" x 12 1/2" storage drawers
 - Slide-in double sideburner

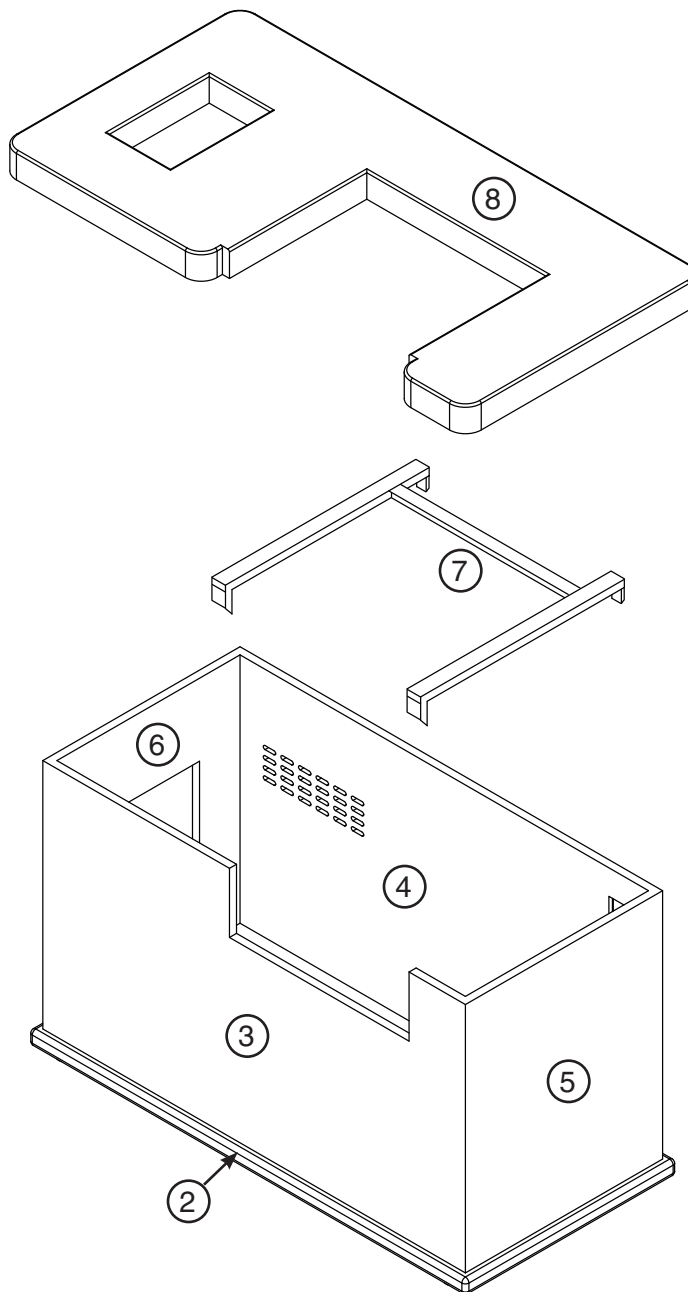


Stack stone model shown

PARTS LIST (5 foot model)

Item Description

- 1. Hardware (not shown)
(4-levelers, 4-self drilling screws)
- 2. Island base
- 3. Front wall
- 4. Rear wall
- 5. Right side wall
- 6. Left side wall w/ door cutout
- 7. Grill support
- 8. Countertop



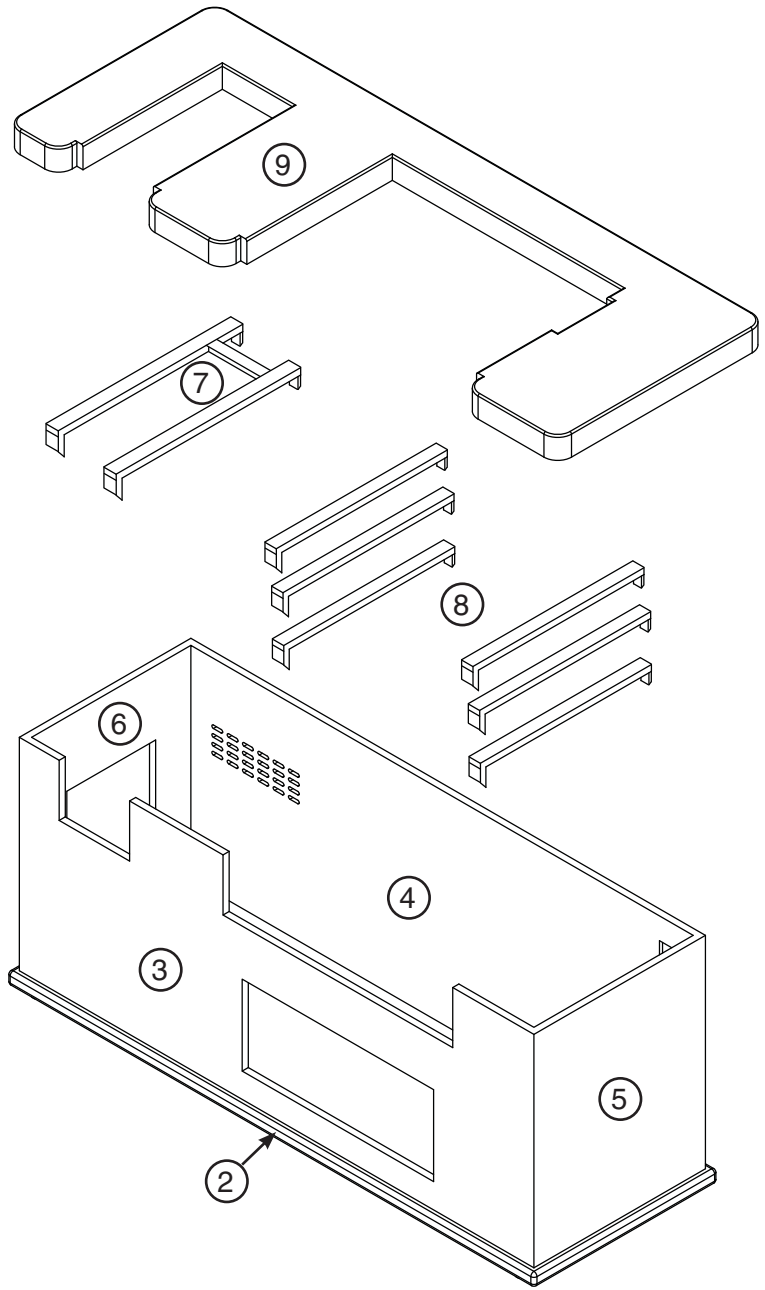
PRODUCT DATA TABLE

Specification	Value
Height	38 1/2"
Width	66"
Depth	34"

Table 1 - Product Data Table

PARTS LIST (7 foot model)

- | Item | Description |
|------|--|
| 1. | Hardware (not shown)
(4-levelers, 8-self drilling screws) |
| 2. | Island base |
| 3. | Front wall |
| 4. | Rear wall |
| 5. | Right side wall |
| 6. | Left side wall w/ door cutout |
| 7. | Double sideburner support |
| 8. | Individual support (6) |
| 9. | Countertop |



PRODUCT DATA TABLE

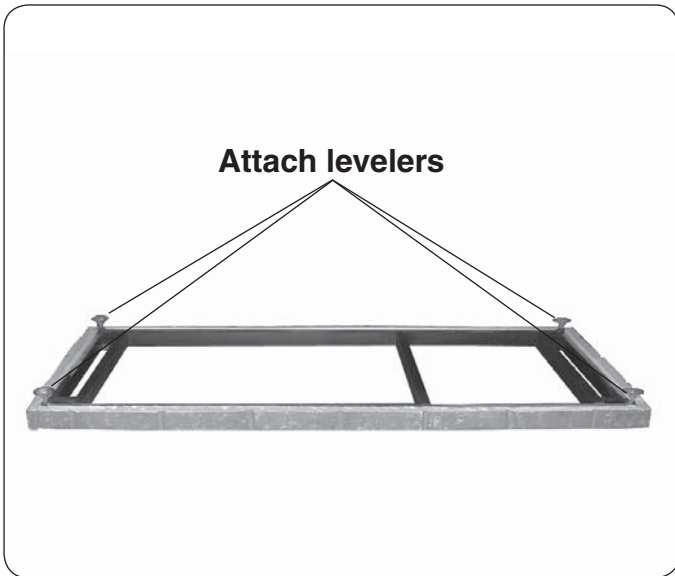
Specification	Value
Height	38 ¹ / ₂ "
Width	90 ¹ / ₄ "
Depth	35 ¹ / ₂ "

Table 2 - Product Data Table

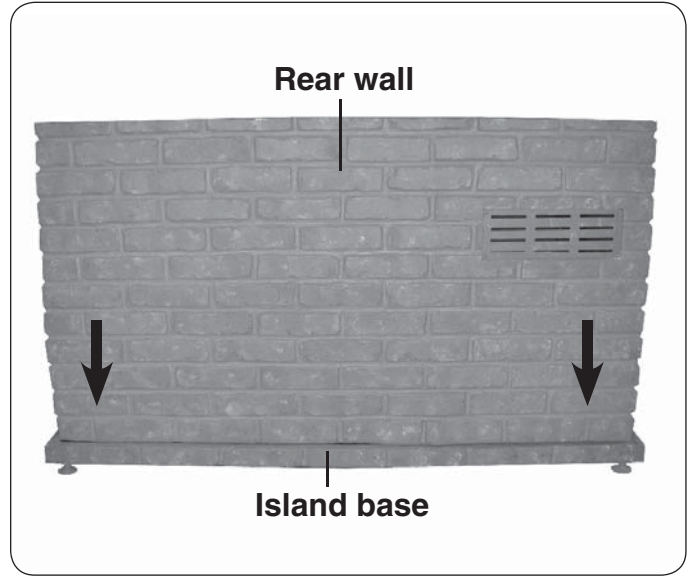
ASSEMBLY (5 foot model)

Tools required:

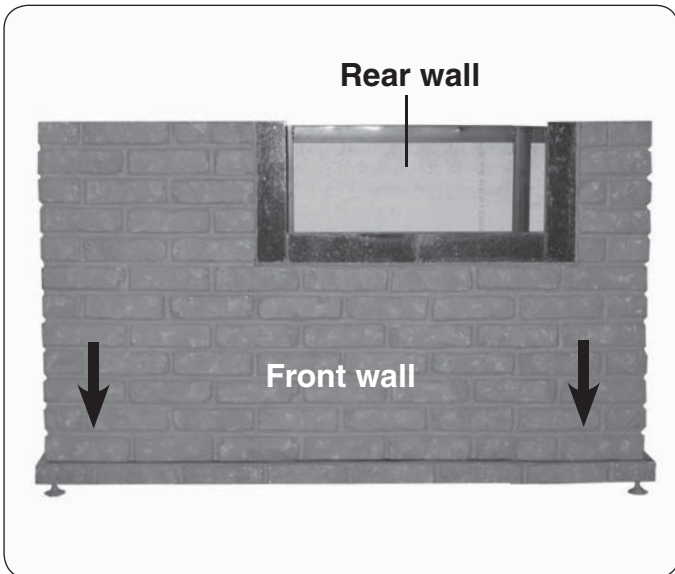
- power drill
- 1/4" hex drive



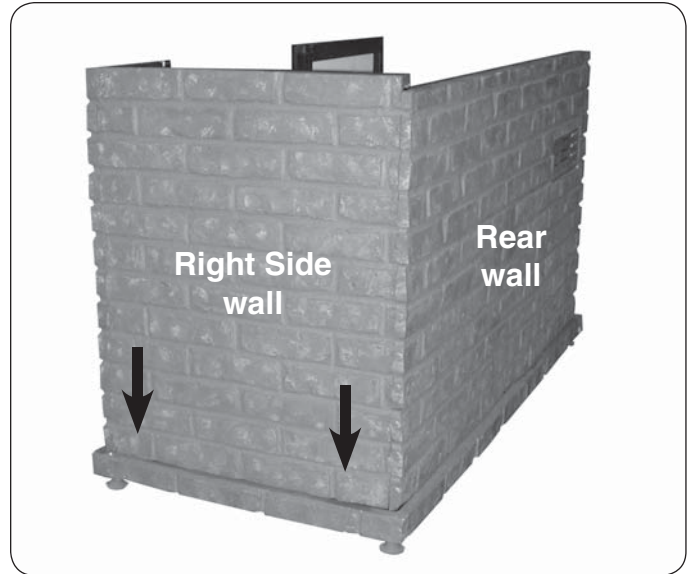
1. Place the island base upside down and attach the 4 levelers.



2. Flip the island base so that it rests on the 4 levelers. Place the rear wall down onto the base by inserting the guide posts into the base receiving-post-pockets.

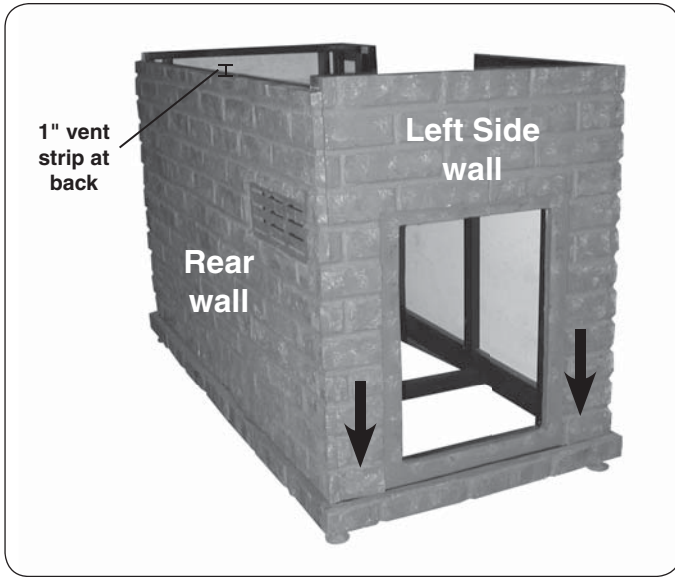


3. Place the front wall down onto the base by inserting the guide posts into the base receiving-post-pockets.

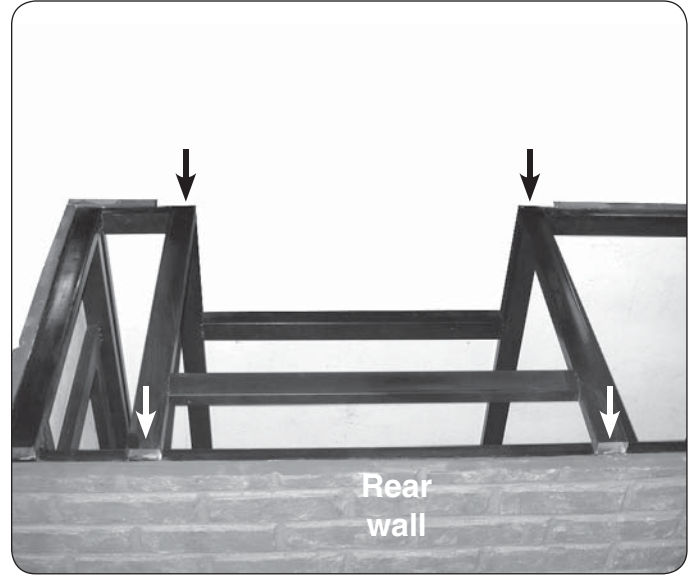


4. Place the right side wall down onto the base by inserting the guide posts into the base receiving-post-pockets.

ASSEMBLY (5 foot model)



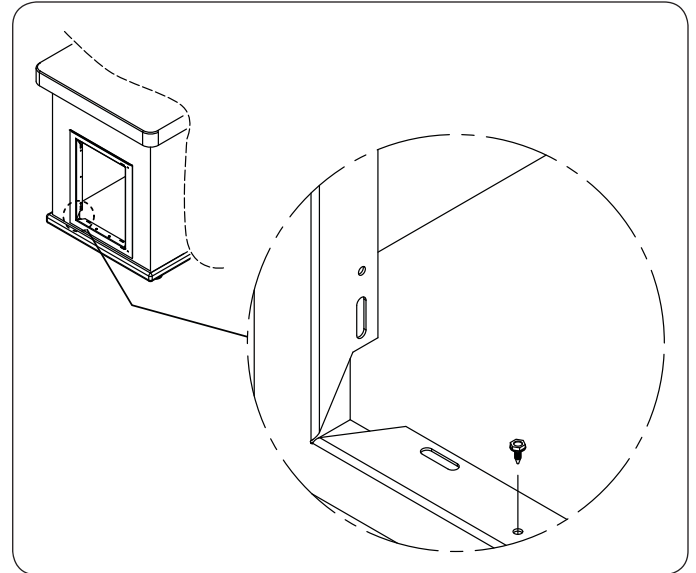
5. Place the left side wall down onto the base by inserting the guide posts into the base receiving-post-pockets.



6. Place the grill support down onto the island by inserting the guide posts into the receiving-post-pockets (on the front and rear walls).



7. Complete installation by placing the countertop onto the island as shown. Be sure to align the grill cutout in the countertop with the sides of the grill support and the opening in the front wall.



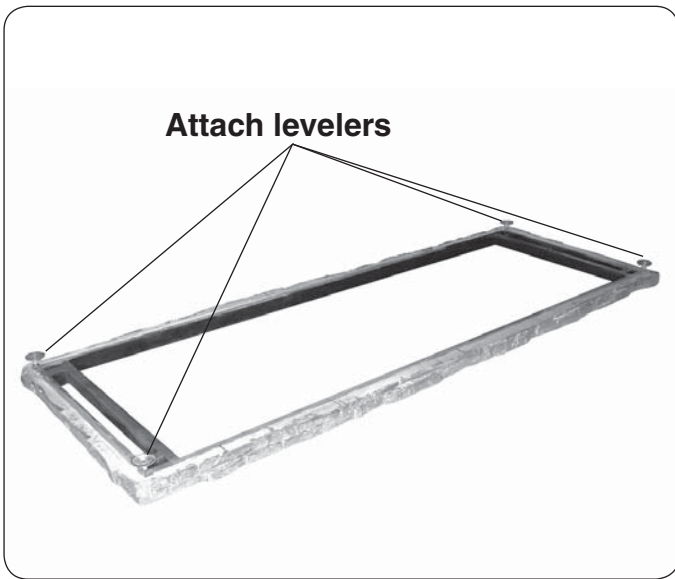
8. Refer to the instructions provided with your selected grill, accessory, and door for installation.

Note: Self drilling screws are included with this unit for door installation. Using a power drill with a 1/4" hex drive attached; install 2 screws into the top, and 2 screws into the bottom of the frame (through the pilot holes) as shown in the above illustration.

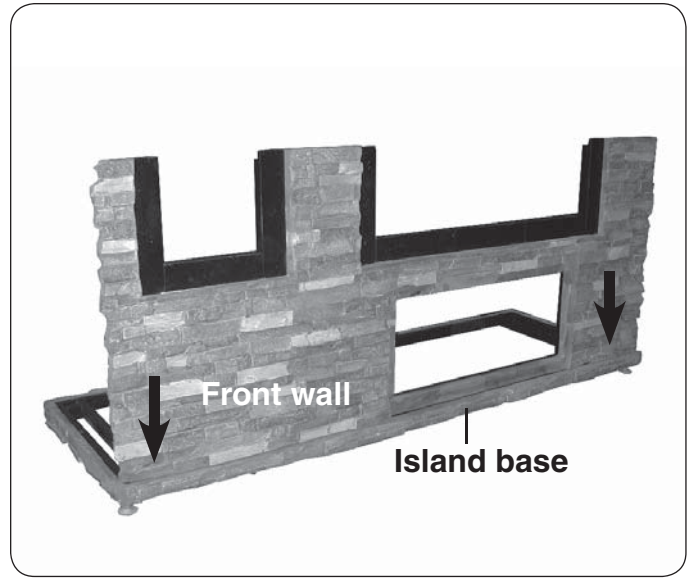
ASSEMBLY (7 foot model)

Tools required:

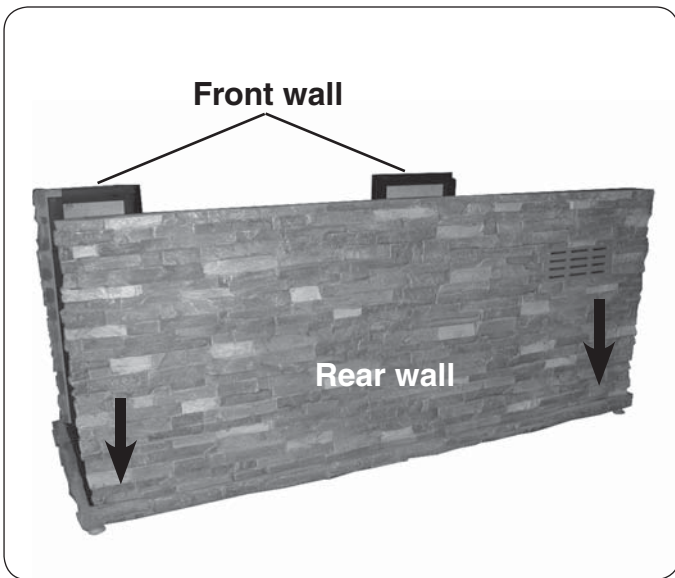
- power drill
- 1/4" hex drive



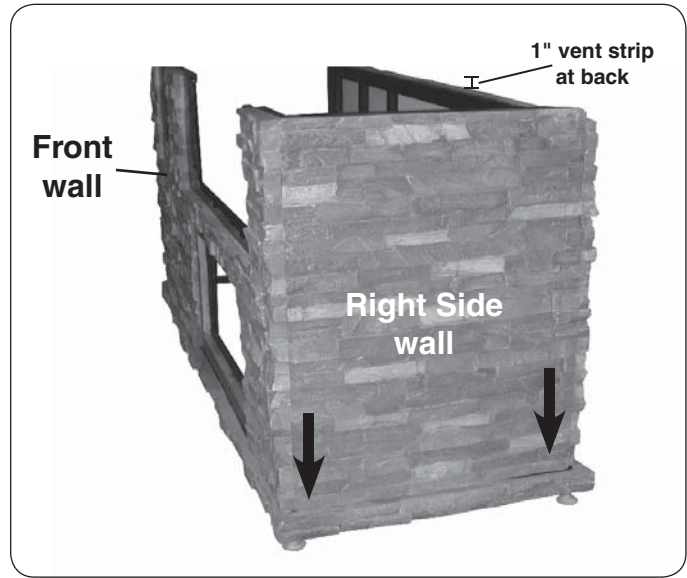
1. Place the island base upside down and attach the 4 levelers.



2. Flip the island base so that it rests on the 4 levelers. Place the front wall down onto the base by inserting the guide posts into the base receiving-post-pockets.

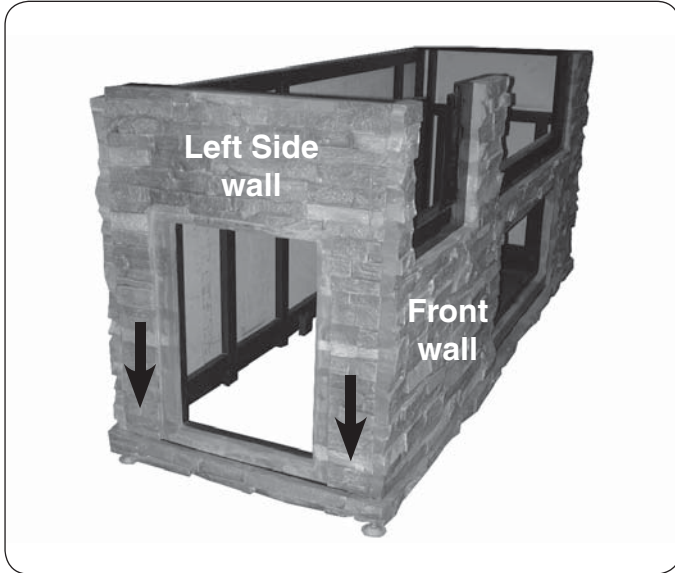


3. Place the rear wall down onto the base by inserting the guide posts into the base receiving-post-pockets.

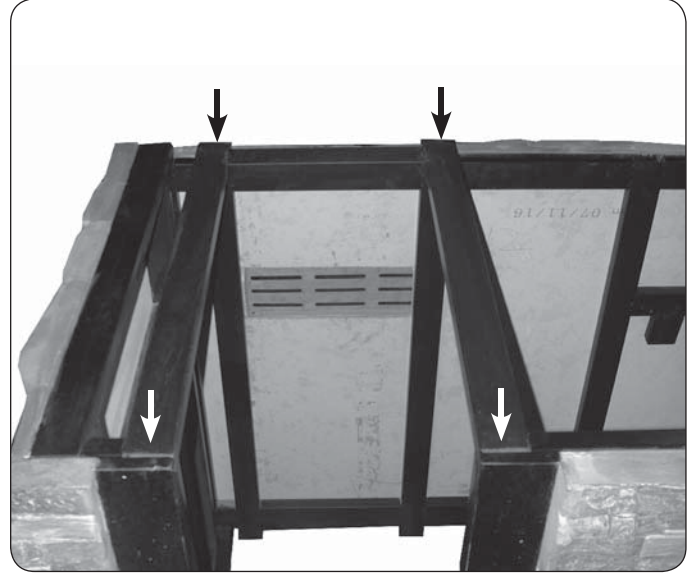


4. Place the right side wall down onto the base by inserting the guide posts into the base receiving-post-pockets.

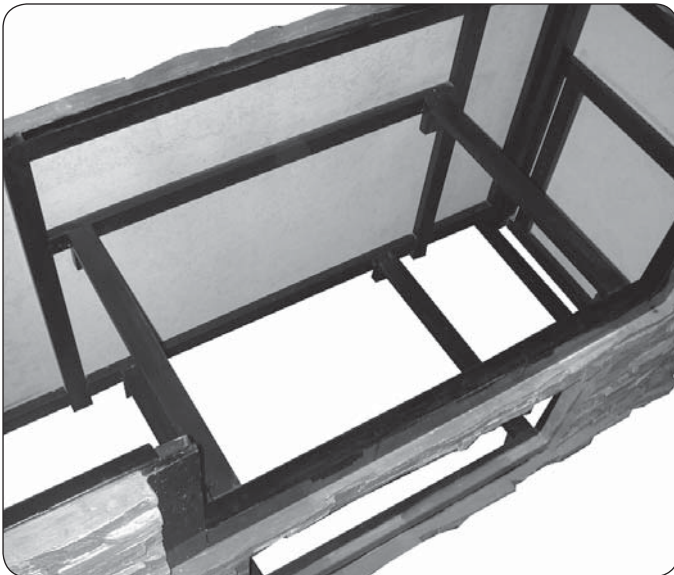
ASSEMBLY (7 foot model)



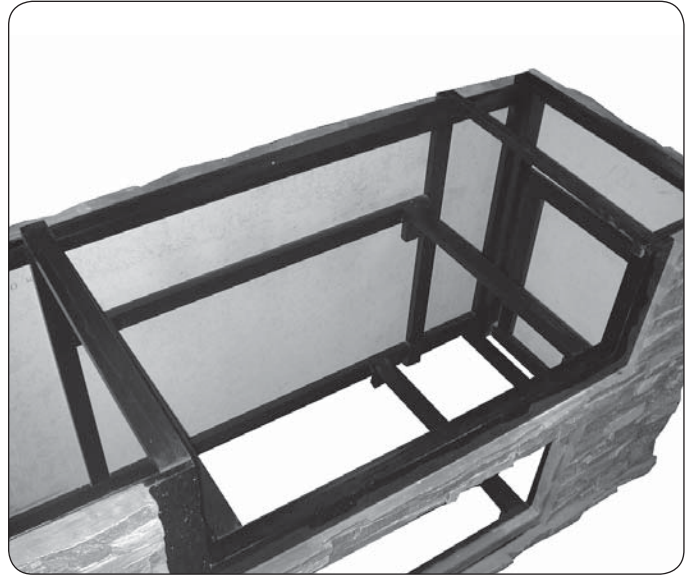
5. Place the left side wall down onto the base by inserting the guide posts into the base receiving-post-pockets.



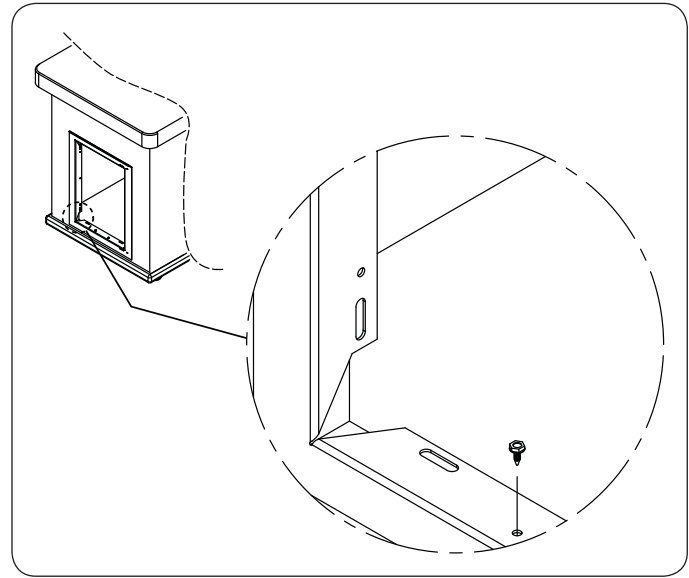
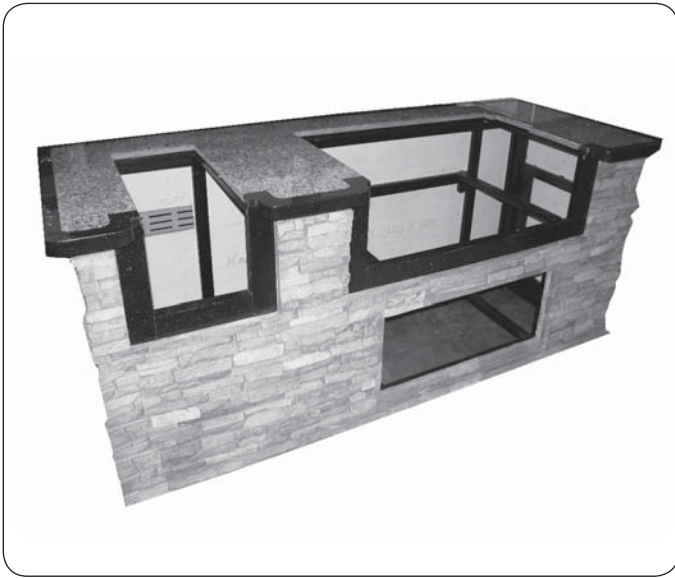
6. Place the double sideburner support down onto the island by inserting the guide posts into the receiving-post-pockets (on the front and rear walls).



7. Place four of the individual supports down into the bottom and middle of the island by inserting the guide posts into the receiving-post-pockets (on the front and rear walls).



8. Place the remaining individual supports onto the top of the island by inserting the guide posts into the receiving-post-pockets (on the front and rear walls).



9. Complete installation by placing the countertop onto the island as shown. Be sure to align the grill and double sideburner cutouts in the countertop with the sides of the supports and the openings in the front wall.

10. Refer to the instructions provided with your selected grill, accessory, drawer, and door for installation.

Note: Self drilling screws are included with this unit for door/drawer installation. Using a power drill with a 1/4" hex drive attached; install 2 screws into the top, and 2 screws into the bottom of the frame (through the pilot holes) as shown in the above illustration.