



# Drop-In Cooktops

FFGC3015L S/W/B

30" Gas



## Product Dimensions

Width	30"
Depth	21-1/2"
Height	2-7/8"

## More Easy-To-Use Features

**Electronic Pilotless Ignition**  
Saves energy and can be ignited manually when electricity is out.

**Porcelain Cooktop Grates**  
Grates are durable and easy to clean.

## LP Gas Conversion Option

Available in:



Burners	BTU
Right Front	12,000
Right Rear	5,000
Left Front	9,500
Left Rear	9,500

*1Select models only.*

## Signature Features

### Ready-Select® Controls

Select options or control cooking temperature with our easy-to-use controls.

### Sealed Gas Burners

Enjoy easier cleanup and a burner that stays looking great.

### Durable Stainless Steel Cooktop<sup>1</sup>

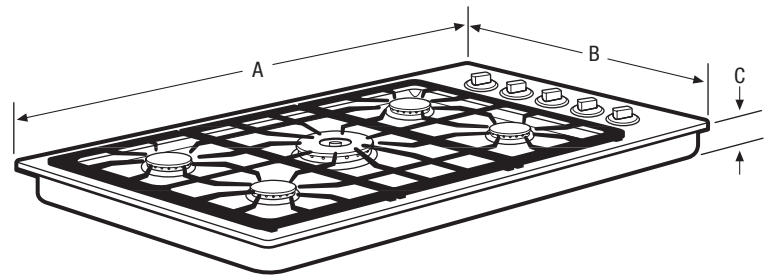
A premium look that stands up to everyday use.

### Color-Coordinated Control Knobs

White and Black cooktops come with matching knobs — while Stainless Steel models feature our neutral black knobs.

Features	
Controls	Ready-Select®
Surface Type	Stainless Steel (S), Color-Coordinated Porcelain (W/B)
Sealed Gas Burners	Yes
Grates	Cast Iron with Black Matte Finish
Right Front Element (BTU)	12,000
Right Rear Element (BTU)	5,000
Left Front Element (BTU)	9,500
Left Rear Element (BTU)	9,500
Control Location	Right Side
Knob Color	Black (S), Color-Coordinated (W/B)
Knob Type	Plastic
Bowl Type	
Specifications	
Power Supply Connection Location	Right Rear
Gas Supply Connection Location	Right Rear
LP Gas Conversion Kit	Included
Voltage Rating	120V / 60V / 15A
Connected Load (kW Rating) @ 120 Volts <sup>1</sup>	.8
Amps @ 120 Volts	1.0
Minimum Circuit Required (Amps)	15
Approved for Electric Single Wall Oven Combination Installation	
Shipping Weight (Approx.)	50 Lbs.

<sup>1</sup>For use on adequately wired 120V, dedicated circuit having 2-wire service with a separate ground wire. Appliance must be grounded for safe operation.



NOTE: Always consult local and national electric and gas codes. Refer to Product Installation Guide for detailed installation instructions on the web at [frigidaire.com](http://frigidaire.com).

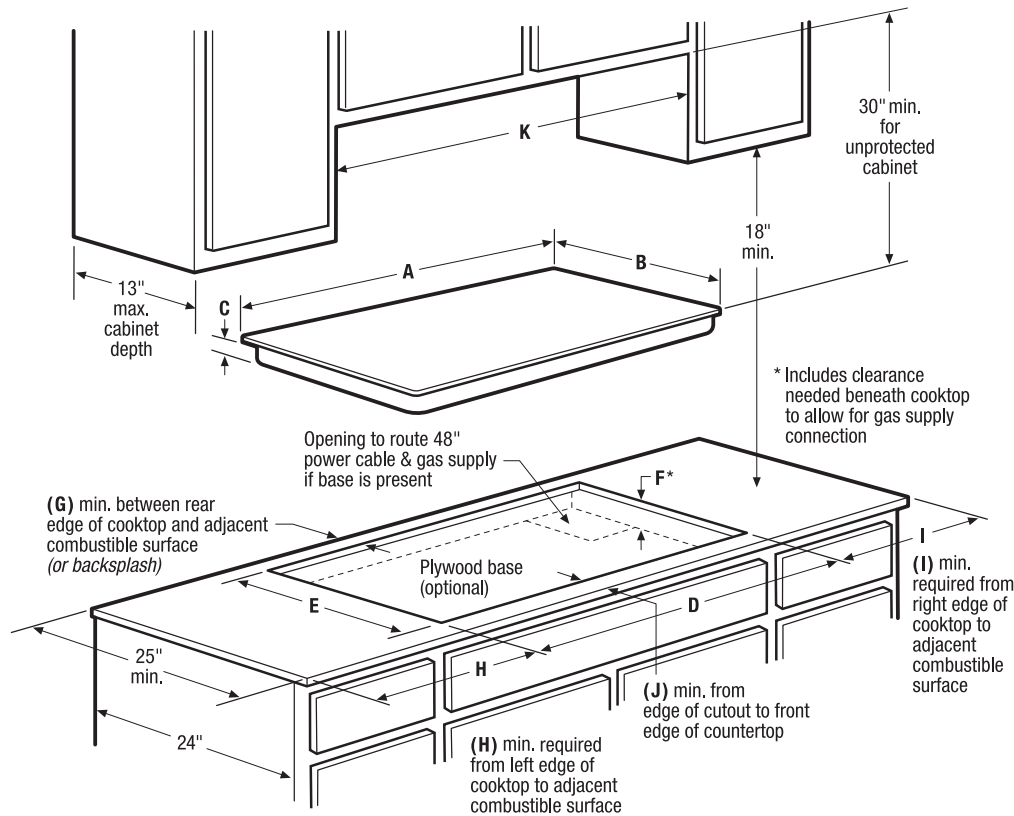


Product Dimensions	
A - Width	30"
B - Depth	21-1/2"
C - Height	2-7/8"

Cutout Dimensions	
Width (Min.)	27-1/4"
Width (Max.)	28-1/2"
Depth (Min.)	19"
Depth (Max.)	19-3/8"
Height	6-1/2"

Granite Countertop Installation Kit available.

Accessories information available on the web at [frigidaire.com](http://frigidaire.com)



Product Dimensions			Required Clearances			
A - Width	B - Depth	C - Height	G (min.)	H (min.)	I (min.)	J (min.)
30"	21-1/2"	2-7/8"	1-3/4"	6"	4"	-
Product Cutout Dimensions			K - Cabinet Opening Width (min.)	Utility Connection Locations		
D - Width (min. - max.)	E - Depth (min. - max.)	F - Height (min.)*		Power Supply	Gas Supply	
27-1/4" - 28-1/2"	19" - 19-3/8"	6-1/2"	30"	Right Rear	Right Rear	

**Drop-In Cooktop Specifications**

- Product Shipping Weight (approx.) - 50 Lbs.
- Voltage Rating - 120V / 60 Hz / 15 Amps
- For use on adequately wired 120V, dedicated circuit having 2-wire service with a separate ground wire. Appliance must be grounded for safe operation.
- Amps @ 120 Volts = 1.0 Amps
- Always consult local and national electric and gas codes.
- Cooktop cutout height includes clearance needed beneath cooktop to allow for gas supply connection. Recommended location for grounded 120V outlet is on rear wall in an 8"-wide by 10"-high area, positioned 22" above floor surface and 4" from right side of cooktop centerline. Access to underside of cooktop and junction box must be provided for inspection and service.
- Cooktop ships with 3/4" factory regulator.
- LP Gas conversion kit supplied.
- Overhead cabinetry should not exceed a 13" maximum depth.
- Absolute minimum horizontal distance between overhead cabinets installed to either side of appliance must be no less than 30".
- Allow 30" minimum clearance between top of cooktop platform and bottom of unprotected wood or metal overhead cabinet.
- Allow 1-3/4" minimum distance between rear edge of cooktop and adjacent combustible surface (or backsplash).

- Allow 6" minimum required clearance from left edge of cooktop to adjacent combustible surface and 4" minimum from right edge of cooktop to adjacent combustible surface.
- Drawer can NOT be installed beneath cooktop.
- To reduce risk of fire when using overhead cabinetry, install range hood that projects horizontally a recommended minimum of 5" beyond bottom of cabinets.
- Gas Drop-In Cooktop model FFGC3015L is approved to be used over any Frigidaire® Single Wall Oven.
- Gas Drop-In Cooktop model FFGC3015L is approved to be used in combination with Frigidaire® 30" Downdraft Vent PL30DD50EC. (Refer to model-specific Downdraft Vent product page on web for detailed countertop preparation specifications.)

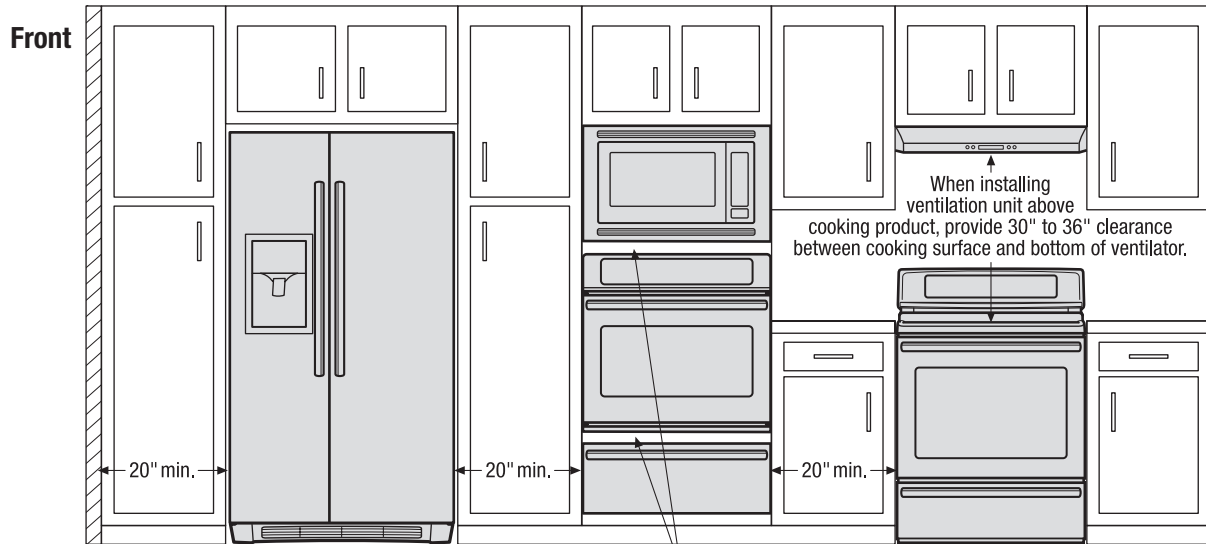
**Note:** For planning purposes only. Refer to Product Installation Guide on the web at [frigidaire.com](http://frigidaire.com) for detailed instructions.

**Optional Accessories**

- Granite Countertop Installation Kit - (PN # 903103-9010).

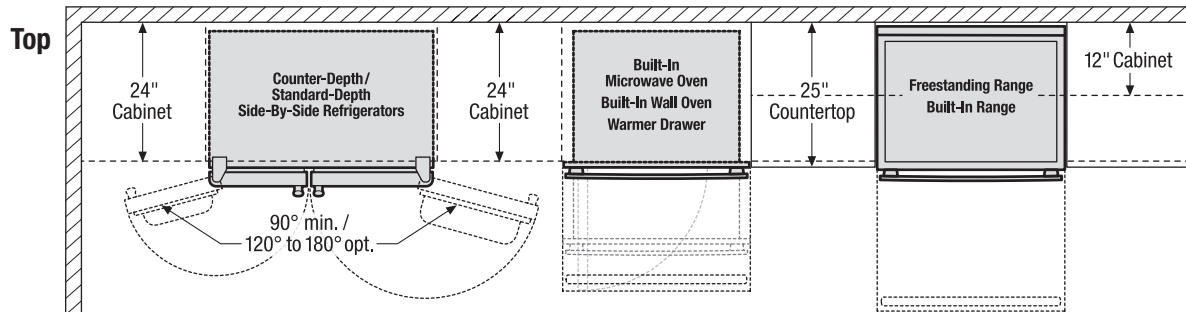


Use these dimensions and clearance instructions for planning purposes only. For detailed installation instructions, refer to installation guide, packed with product, or on the web at [frigidaire.com](http://frigidaire.com).



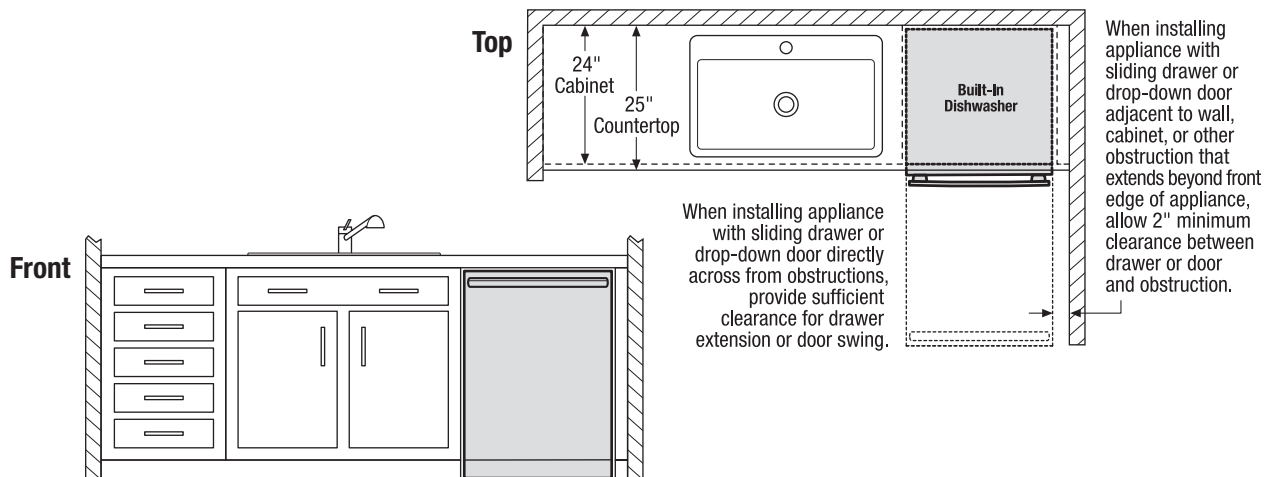
When installing appliances adjacent to each other, 20" minimum distance between each appliance required.

When installing built-in cooking appliances in combination, 2" minimum visible gap between appliance faceplates required.



When installing side-by-side refrigerator adjacent to wall, cabinet or another appliance that extends beyond front edge of unit, 20" minimum clearance recommended to allow for optimum 120° to 180° door swing, providing complete drawer/crisper access and removal.

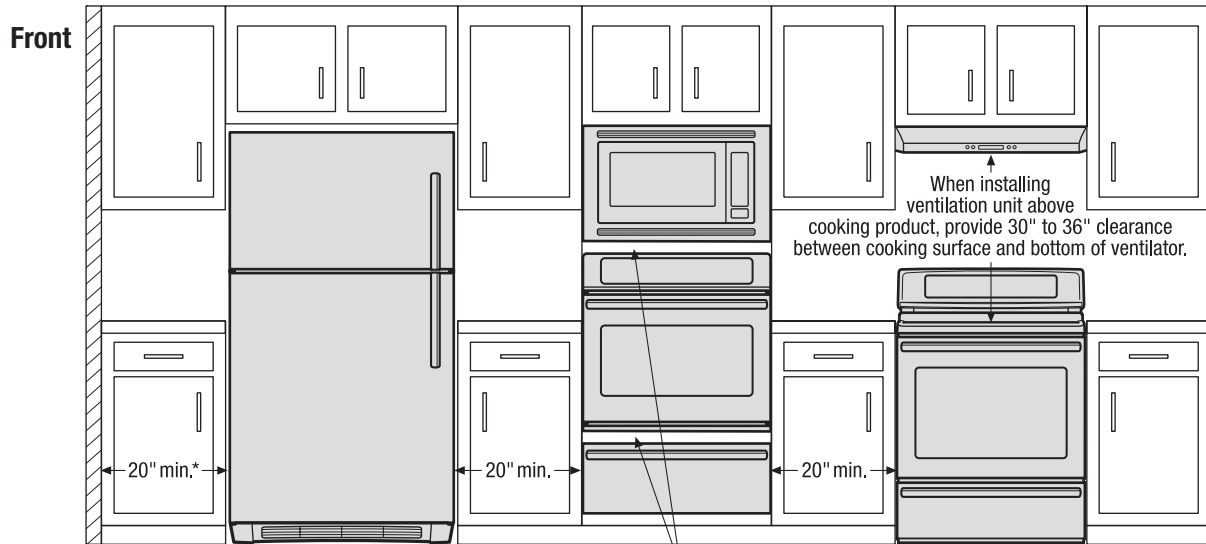
When installing appliance with sliding drawer, swinging or drop-down door directly across from obstructions, provide sufficient clearance for drawer extension or door swings.



When installing appliance with sliding drawer or drop-down door directly across from obstructions, provide sufficient clearance for drawer extension or door swing.

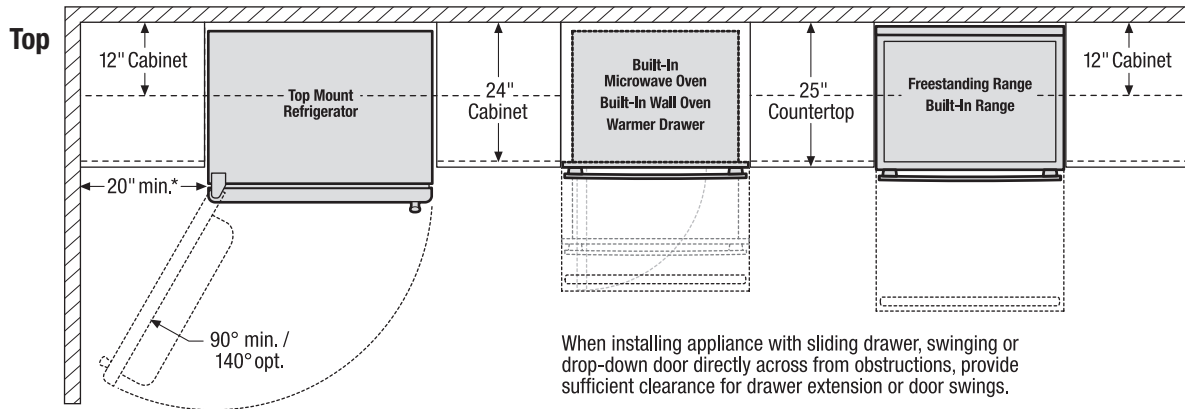
When installing appliance with sliding drawer or drop-down door adjacent to wall, cabinet, or other obstruction that extends beyond front edge of appliance, allow 2" minimum clearance between drawer or door and obstruction.

Use these dimensions and clearance instructions for planning purposes only. For detailed installation instructions, refer to installation guide, packed with product, or on the web at [frigidaire.com](http://frigidaire.com).



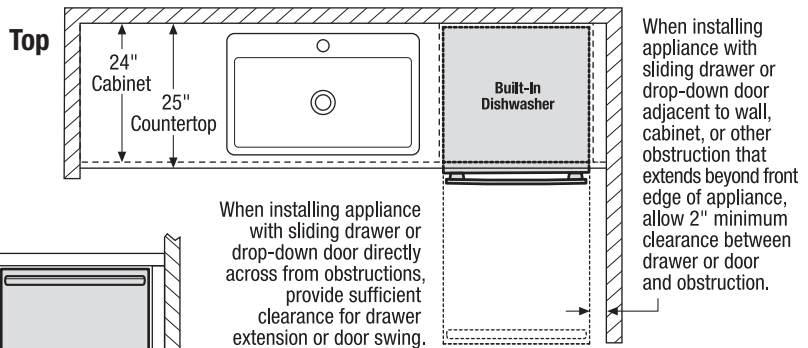
When installing appliances adjacent to each other, 20" minimum distance between each appliance required.

When installing built-in cooking appliances in combination, 2" minimum visible gap between appliance faceplates required.



When installing appliance with sliding drawer, swinging or drop-down door directly across from obstructions, provide sufficient clearance for drawer extension or door swings.

\*When installing refrigerator adjacent to wall, cabinet or other appliance that extends beyond front edge of unit, 20" minimum clearance recommended to allow for optimum 140° door swing, providing complete crisper access and removal. (Absolute 3" minimum clearance will ONLY allow for 90° door swing which will provide limited crisper access with restricted removal.)



When installing appliance with sliding drawer or drop-down door directly across from obstructions, provide sufficient clearance for drawer extension or door swing.

