

**Elite by Elkay™ Single Bowl  
Model ESE202010**



**SPECIFICATIONS**

**GENERAL**

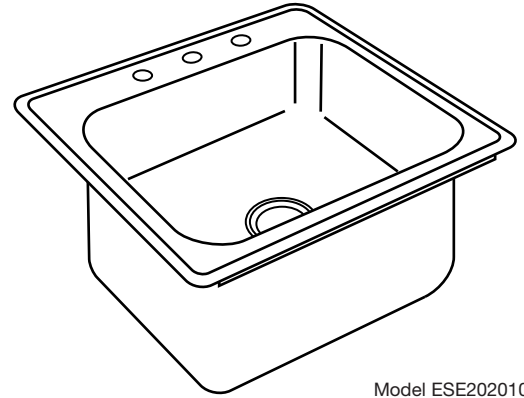
Good quality Elite by Elkay single bowl sink is seamlessly drawn of #20 gauge, type 304 (18-8) nickel bearing stainless steel. Self-rimming.

**DESIGN FEATURES**

Bowl Depth: 10-1/8".  
 Coved Corners: 3" vertical radii, 2-1/4" horizontal radii.  
 Finish: Bowl surfaces are polished to an ultra radiant finish. Deck and bowl radius have mirror finish.  
 Underside: Fully undercoated to prevent condensation and deaden sound.

**OTHER**

Drain Opening: 3-1/2".  
 Faucet Holes: 3 holes as indicated, 4" center to center.  
 Note: Unless otherwise specified, sink is furnished with 3 faucet holes as shown.



Model ESE202010

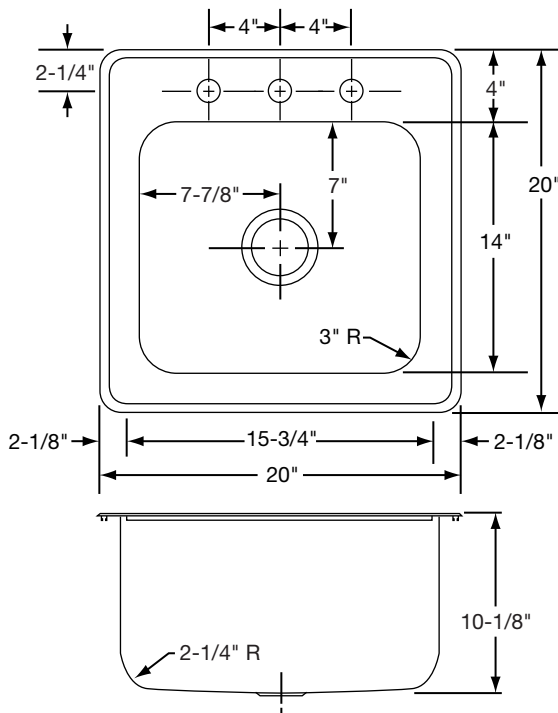
**OPTIONAL ACCESSORIES**

Rinsing Baskets: LKERBSS or LKRB1414.  
 This sink does not comply with ANSI Standard A112.19.3M.

**SINK DIMENSIONS (INCHES)\***

Model Number	Overall		Inside Bowl			Cutout in Countertop (1 1/2" Radius Corners)		Ship. Wt. Lbs.
	L	W	L	W	D	L	W	
ESE202010	20	20	15 3/4	14	10 1/8	19 3/8	19 3/8	14

\*Length is left to right. Width is front to back.



Model ESE202010 Illustrated

ALL DIMENSIONS IN INCHES, TO CONVERT TO MILLIMETERS MULTIPLY BY 25.4.

*In keeping with our policy of continuing product improvement, Elkay reserves the right to change product specifications without notice.*

*This specification describes an Elkay product with design, quality and functional benefits to the user. When making a comparison of other producers' offerings, be certain these features are not overlooked.*