

ER36G, ER36GI



36" Wide, Epicure® Gas Range

PLANNING GUIDE

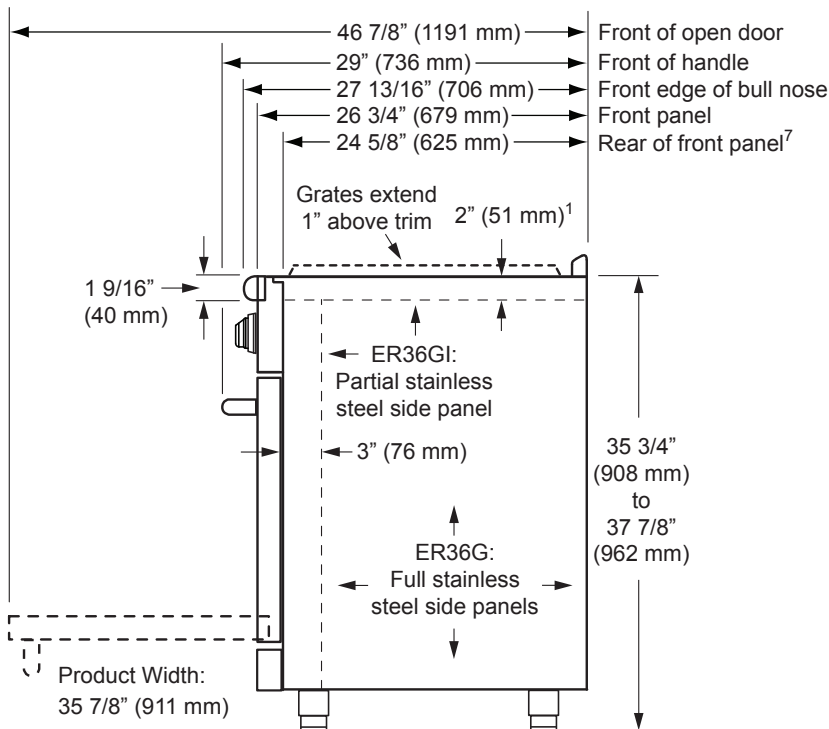
WARNING

- ◇ Observe all governing codes and ordinances during planning and installation. Contact your local building department for further information.
- ◇ This appliance must be installed in accordance with the accompanying installation instructions.

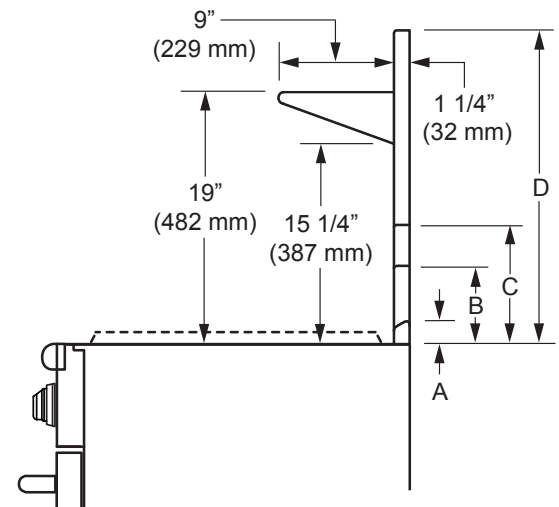
Electrical Circuit Required	Total Connected Load
120 Vac, 60 Hz, 15 Amp. grounded, dedicated, 3 prong electrical outlet	5.0 Amps. @120 Vac, 60 Hz,

Electrical Requirements

All tolerances $\pm 1/16"$ (± 1.6 mm) unless otherwise noted.



ER36G/ER36GI Dimensions Side View



- (A) 1 3/4" (44 mm): Model AER36GLBG (low profile)²
- (B) 6" (152 mm): Model AER36GBG6^{3, 5}
- (C) 9" (229 mm): Model AER36GBG9^{4, 5}
- (D) 24" (610 mm): Model AER36GBG24^{4, 5}

ER36G/ER36GI Available backguards

NOTE: Neither model is compatible with raised vents.

NOTES:

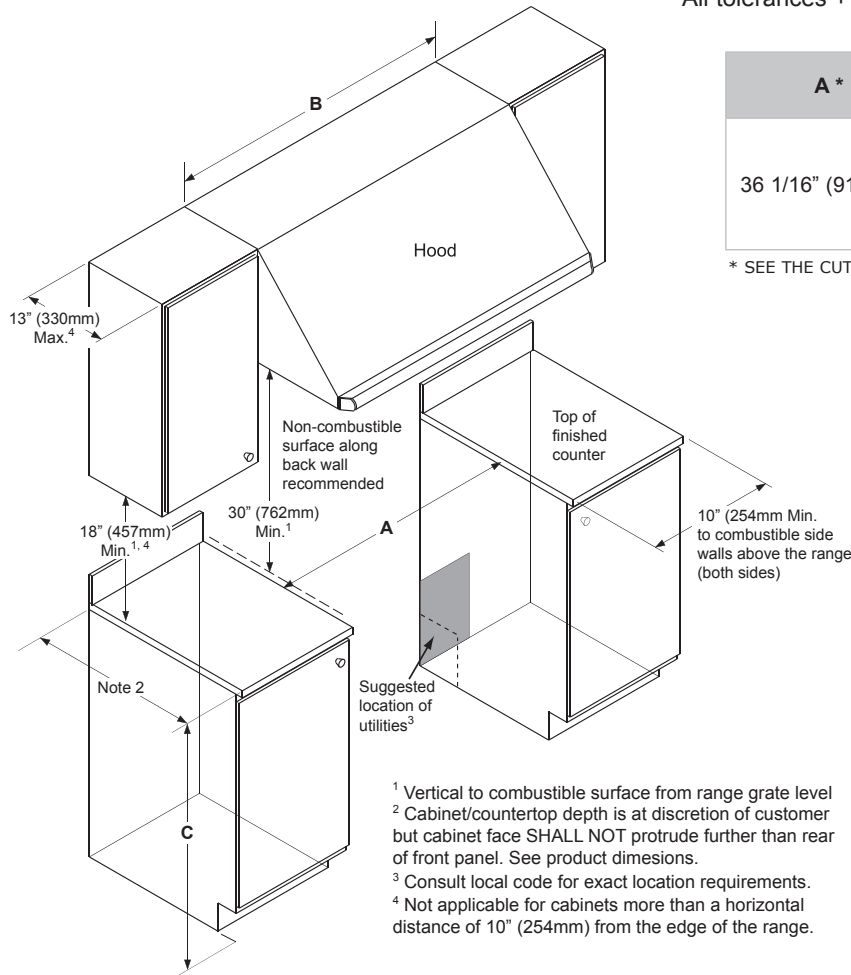
- 1) Trim thickness is 1/4" (6 mm) with optional self-rimming kit installed (ER36GI only).
- 2) Standard on model ER36GI. Optional on model ER36G.
- 3) Standard on model ER36G. Optional on model ER36GI.
- 4) Optional on both models.
- 5) Not for use with self rimming installations. ER36G is not equipped for self-rimming installation.
- 6) ER36G is designed for freestanding installations. ER36GI is designed for installation in a recessed cabinet or island.
- 7) This dimension is shortened to 24 inches when the self-rimming kit is installed (ER36GI only).



36" Wide, Epicure® Gas Range

PLANNING GUIDE

All tolerances +1/16" -0 (+1.6 mm, 0) unless otherwise noted.



A *	B	C
36 1/16" (916 mm)	30" (762 mm) Minimum 36" (914 mm) Recommended	37 7/8" (962 mm) Maximum

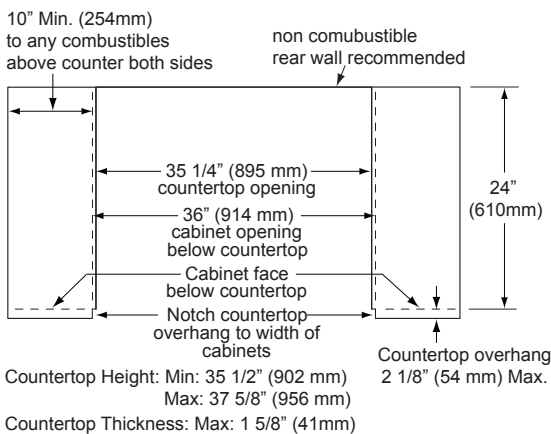
* SEE THE CUTOUT DIMENSIONS BELOW FOR SELF-RIMMING INSTALLATIONS

NOTES:

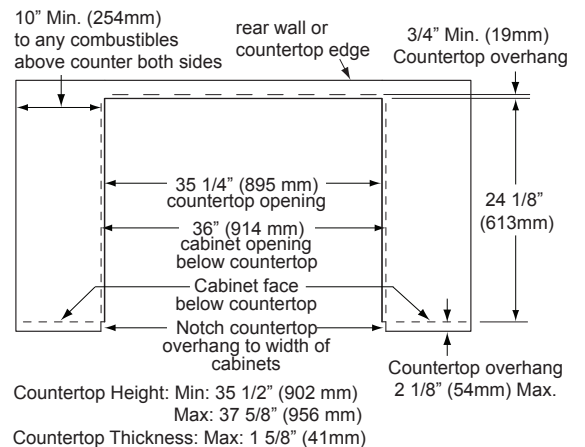
- Utilities may be located in the lower left corner of the adjacent right cabinet (recommended). Consult local code.
- Self-rimming kit is included with model ER36GI. The self-rimming kit allows the trim to overlap the counter top on the sides and back. ER36G is not equipped for self-rimming installation.

¹ Vertical to combustible surface from range grate level
 ² Cabinet/counter top depth is at discretion of customer but cabinet face SHALL NOT protrude further than rear of front panel. See product dimensions.
 ³ Consult local code for exact location requirements.
 ⁴ Not applicable for cabinets more than a horizontal distance of 10" (254mm) from the edge of the range.

Cabinet Cutout Dimensions



Self-Rimming Cutout Dimensions - Cabinet Depth Exactly 24 Inches (ER36GI only)

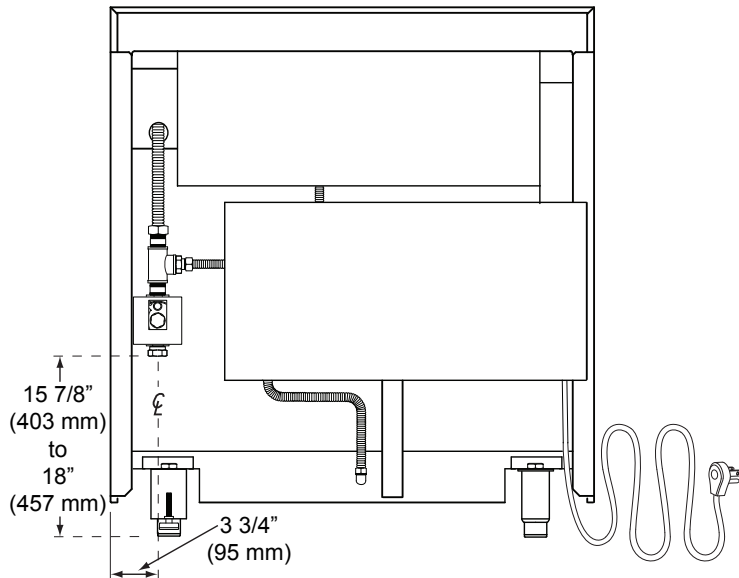


Self-Rimming Cutout Dimensions - Cabinet Depth Greater Than 24 Inches (ER36GI only)

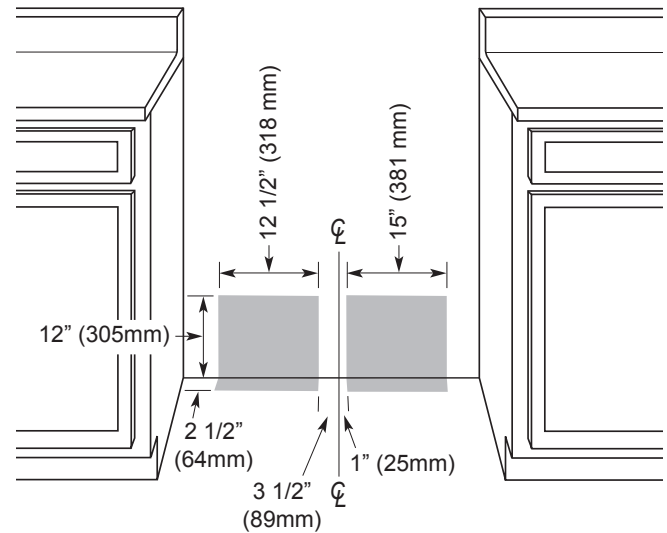


36" Wide, Epicure® Gas Range

PLANNING GUIDE



Back of Range



Utility Clearance Behind Range

GAS SUPPLY PRESSURE REQUIREMENTS			
Gas Type	Manifold Pressure* (WC)	Min. Gas Supply Pressure (WC)	Max. Input Pressure
Natural	5"	6"	1/2 p.s.i.
LP	10"	11"	1/2 p.s.i.

IMPORTANT: The information above is for reference only. If the above data does not agree with the product data label, use the data on the product data label on top of the kick plate below the door (remove the door according to the installation instructions to view it).

The gas connection is located on the back of the unit as shown. Use a 1/2" male NPT to connect to the regulator.