

ELKAY[®]

SPECIFICATIONS

elumina™ by Elkay Single Bowl Sink Model EG2522

GENERAL

Fine quality sink bowl seamlessly formed of #18 gauge, type 304 nickel bearing stainless steel. Self-rimming.

DESIGN FEATURES

Bowl Depth: 8-1/4".

Coved Corners: 3" vertical and 2-1/4" horizontal radius.

Bowl and Faucet Deck Recess: 3/8" below outside edge of sink.

Finish: Exposed surfaces are polished to a non-directional soft satin finish.

Underside: Sound absorbing pads applied to dampen sound.

OTHER

Drain Opening: 3-1/2".

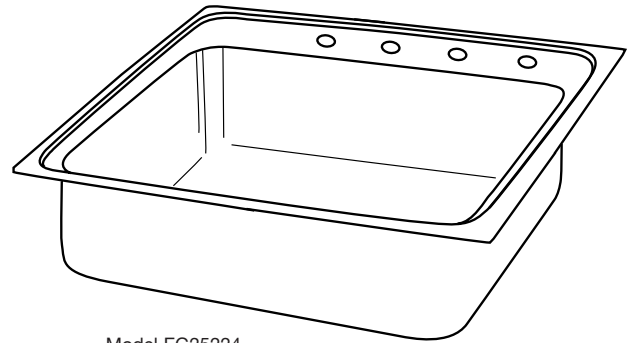
NOTE: Unless otherwise specified, sink is furnished with 4 faucet holes as shown.

OPTIONAL ACCESSORIES

Rinsing Baskets: LKRB1520 or LKERBSS.

Cutting Boards: CB1516 or CB1713.

This sink complies with ANSI Standard A112.19.3M.

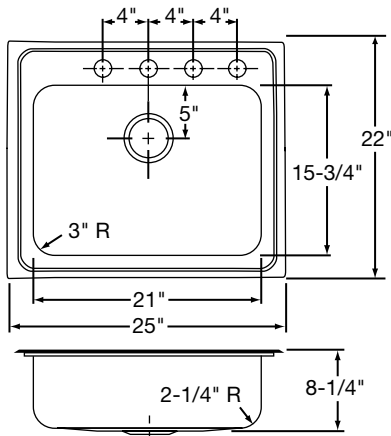


Model EG25224

SINK DIMENSIONS (INCHES)*

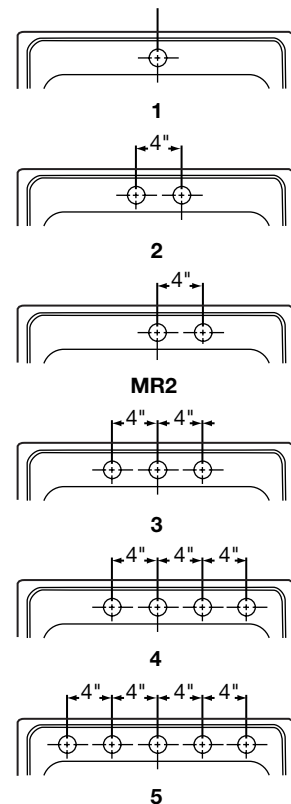
Model Number	Overall		Inside Bowl			Cutout in Countertop (1 1/2" Radius Corners)		No. of 1 1/2" Dia. Faucet Holes 4" Center	Minimum Cabinet Size	Ship. Wt. Lbs.
	L	W	L	W	D	L	W			
EG2522	25	22	21	15 3/4	8 1/4	24 3/8	21 3/8	1, 2, MR2, 3, 4 or 5	30	16 1/2

*Length is left to right. Width is front to back.



Model EG25224 Illustrated

HOLE DRILLING CONFIGURATIONS



ALL DIMENSIONS IN INCHES, TO CONVERT TO MILLIMETERS MULTIPLY BY 25.4.

In keeping with our policy of continuing product improvement, Elkay reserves the right to change product specifications without notice.

This specification describes an Elkay product with design, quality and functional benefits to the user. When making a comparison of other producers' offerings, be certain these features are not overlooked.