



Outdoor Stand Alone Gas Grill Quick Start Guide

CAUTION: For your safety read the installation instructions and owner's manual provided with the grill.

1-Safety

INSTALLER: Leave these instructions with consumer. **CONSUMER:** Retain for future reference.

This grill must be installed in accordance with local codes and ordinances, or, in the absence of local codes, with either the latest National Fuel Gas Code (ANSI Z223.1/NFPA 54), and Natural Gas and Propane Storage and Handling Installation Code (CSA-B149.1).

This appliance and its individual shutoff valves must be disconnected from the gas-supply piping system when testing the system at pressures in excess of 1/2 psig. This appliance must be isolated from the gas-supply piping system by closing its dedicated manual shutoff valve during any pressure testing of the gas-supply system at pressures up to and including 1/2 psig.

This grill is designed for outdoor use only. DO NOT use this grill under unprotected flammable surfaces. DO NOT use this grill inside a building, garage, enclosed area, or an unprotected covered area (see paragraph below). DO NOT use this grill in or on a recreational vehicle or boat.

If installed or used under a patio roof, the cooking grid area must be fully covered by an exhaust hood with a vent. An exhaust fan with a rating of 1,000 CFM (cubic feet per minute) (472 liters per second) or more may be necessary to effectively remove smoke and other cooking by-products from the area under the hood. **Fire Magic Vent Hoods are available to meet this requirement.** This outdoor grill must not be used under overhead unprotected combustible construction. **THIS UNIT MUST NOT BE LOCATED IN A FULLY ENCLOSED AREA OF ANY KIND.**

2-Unpacking

Carefully unpack the grill, removing all packing material and protective film. Verify that all parts have arrived undamaged by consulting the parts list in the owner's manual. Remove foam packed hardware from oven area. (See Fig. 2-1.)

Consult the parts list in the owner's manual. If any parts are missing or damaged, immediately contact the Fire Magic dealer before beginning installation.

Important: The 2 shipping screws must be removed prior to removing the unit from the wooden pallet. The screw located on the bottom left side of the unit is accessed by opening the door. The screw located on the bottom right side of the unit is accessed by removing the lower drawer.

To remove the drawer; pull it completely out. Release the drawer from the drawer slides by pressing the black lever down on the right side, and up on the left side.

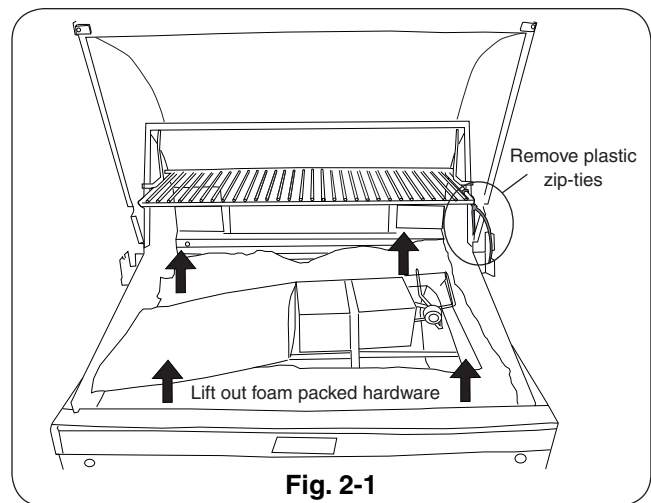


Fig. 2-1

3-Installation

NOTE: THE CONTROL PANEL DOES NOT NEED TO BE REMOVED FOR INSTALLATION. IF REMOVAL IS REQUIRED IT MUST BE DONE WITH CAUTION BY A QUALIFIED PROFESSIONAL SERVICE TECHNICIAN, TO PREVENT ANY POSSIBLE WIRE DISCONNECTIONS.

Location

Locate the grill on a flat level surface with 18" clearance from the oven back and sides to any combustible material or construction.

CAUTION: Wind blowing into or across the rear oven lid vent (Fig. 3-1) can cause poor performance and/or dangerous overheating. Orient the grill so that the prevailing wind blows toward the front of the grill (Fig. 3-2).

CAUTION: To prevent dangerous overheating, the rear of the unit must have a minimum clearance of 4" (10.2 cm) from any backsplash/wall.



Fig. 3-1



Fig. 3-2

Connect Gas supply

These quick start instructions assume a propane cylinder configured unit. See main instructions for natural gas or household propane configured units.

Place approved propane 20lb cylinder in tank tray and lock holder in position (Fig. 3-3).

Connect quick coupler hose and regulator supplied with unit to propane cylinder (Fig. 3-4).

Set all burner control valves to OFF and open gas source control valve.

Follow the lighting instructions on the reverse side of this guide.

Proper grill airflow must be maintained as shown in Fig. 3-5.

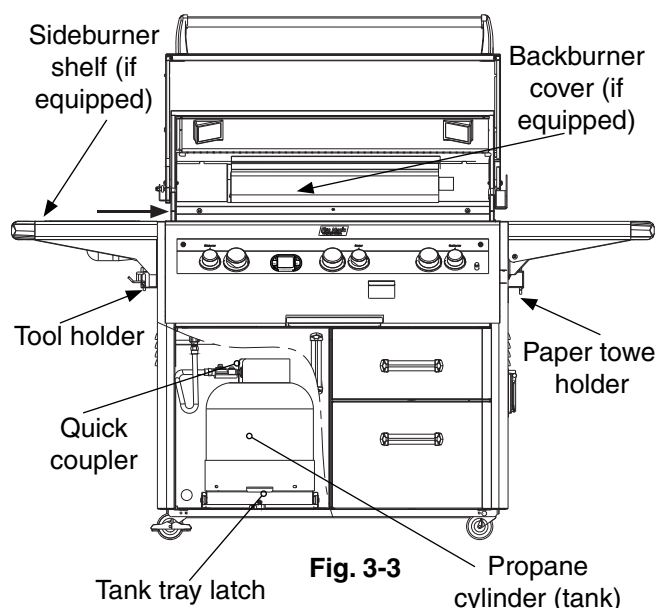


Fig. 3-3

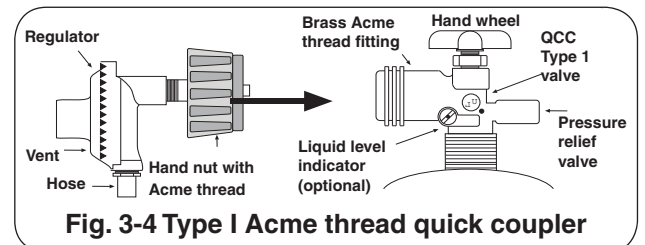


Fig. 3-4 Type I Acme thread quick coupler

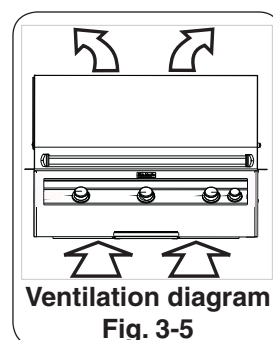


Fig. 3-5

To connect the regulator/hose assembly to the propane-gas cylinder valve fitting: Press the hand nut on the regulator over the Acme thread fitting on the cylinder valve. Turn the hand nut clockwise to engage the threads and tighten until snug.

Note: For infrared burner equipped grills; see detailed instructions included in your owners manual.

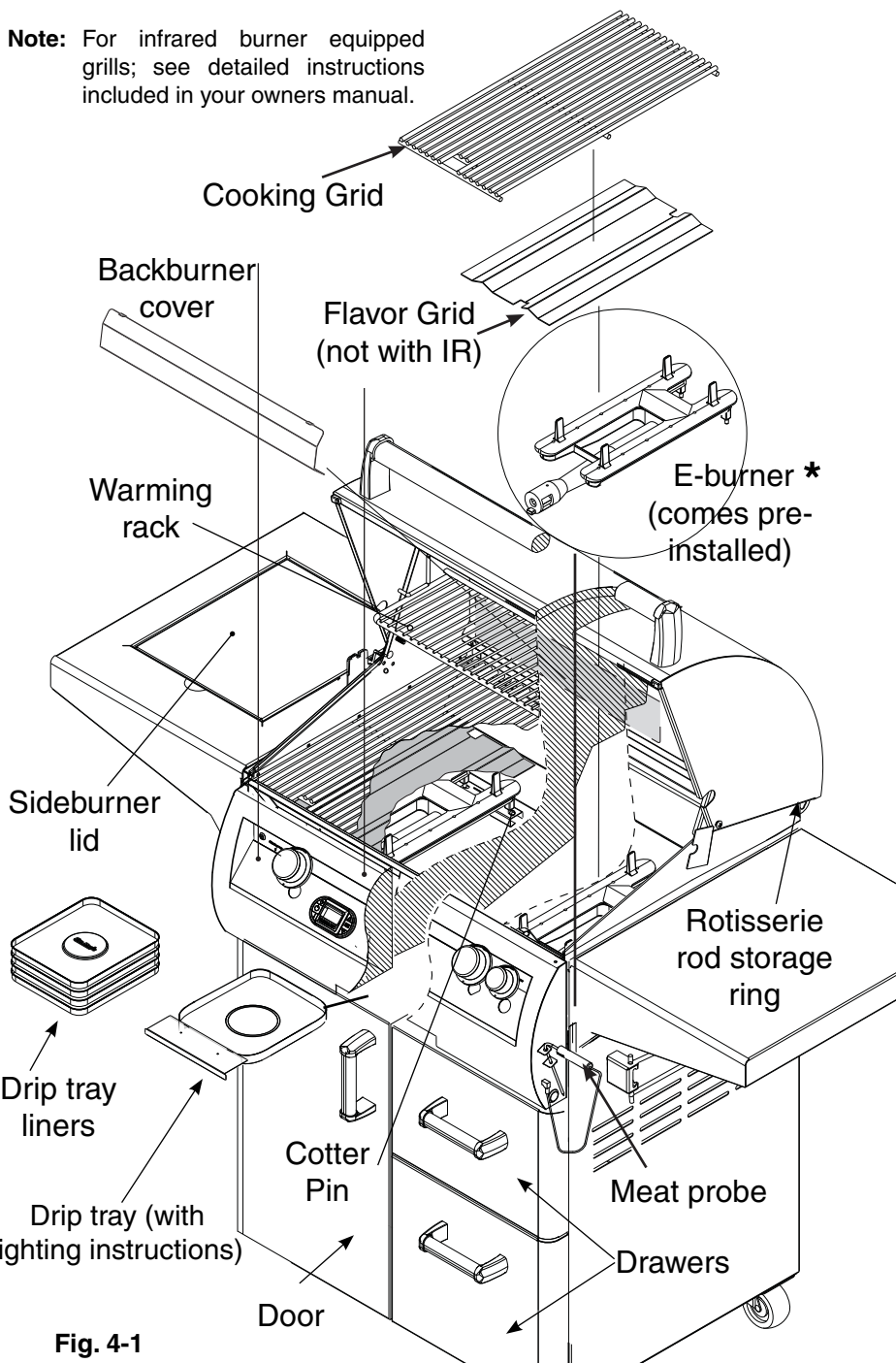


Fig. 4-1

4-Grill Setup

Parts Placement Checklist

Place the following items according to their position and orientation in Fig. 4-1:

Flavor grids, cooking grids, heat zone dividers, backburner cover, warming rack, meat probe.

Leave pre-installed E-burners in place to maintain proper alignment.

Backburner Cover

Hook the backburner cover over the top of the backburner to protect the backburner from grease, dust and dirt when it is not in use. Remove before use.

Warming Rack

The warming rack comes pre-installed. Remove zip ties before use. Consult the owner's manual to remove or replace.

Shelf/Sideburner (if equipped)

Align the four (4) holes in the shelf with the four (4) holes in the side of the cart while aligning and engaging the burner venturi with the orifice (Fig. 4-2). Insert the four (4) screw (provided) into the holes and tighten. Connect the spark wire to ignitor electrode (Fig. 4-2). Open sideburner lid, set cap on burner, and set grid into shelf.

*** The burner ports and carry-over slots must be kept clean to ensure proper ignition and operation.**

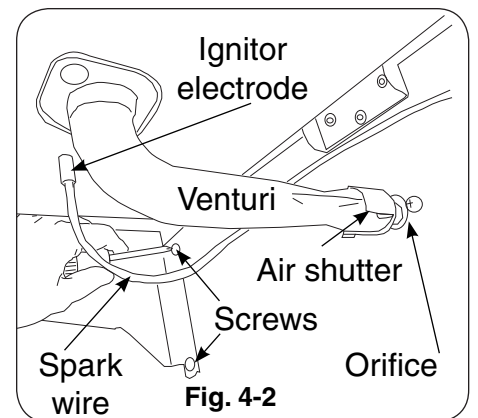


Fig. 4-2

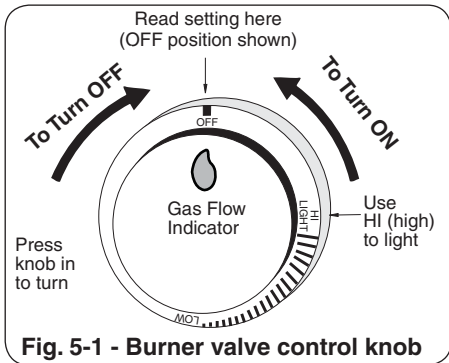


Fig. 5-1 - Burner valve control knob

5-Test

1. Open the lid and remove any cover(s) of the burner(s) to be lit.
2. Turn all gas control knobs to the **OFF** position.
3. Turn the gas-supply valve on.
4. Depress the desired control knob for **5 seconds**, then, while pressing turn it counterclockwise to the **HI LIGHT** position. Once the burner lights, release the control knob. (Repeat this step for each additional burner.)

CAUTION: If burner does not light within 5 seconds, **IMMEDIATELY** depress the knob and turn it to the **OFF** position. Wait 5 minutes before repeating step 4. If the burner does not light after repeated attempts, refer to the Lighting Instructions in your Owners Manual.

For your convenience and safety; when the control knob is in the ON position, the gas flow indicator will change from blue to red. (Red indicates gas flow.) See Fig. 5-1.

WHEN OPERATING THIS APPLIANCE WITH PROPANE, ALL INSTRUCTIONS AND WARNINGS MUST BE OBSERVED. FAILURE TO DO SO MAY RESULT IN A FIRE OR EXPLOSION CAUSING SERIOUS INJURY OR DEATH.

The master switch (Fig. 5-2) controls the power to all lights, igniters, and the thermometer. It allows the power to be turned on or off for safety and convenience. The switch will need to be turned on prior to each grill use, and turned off after each use.

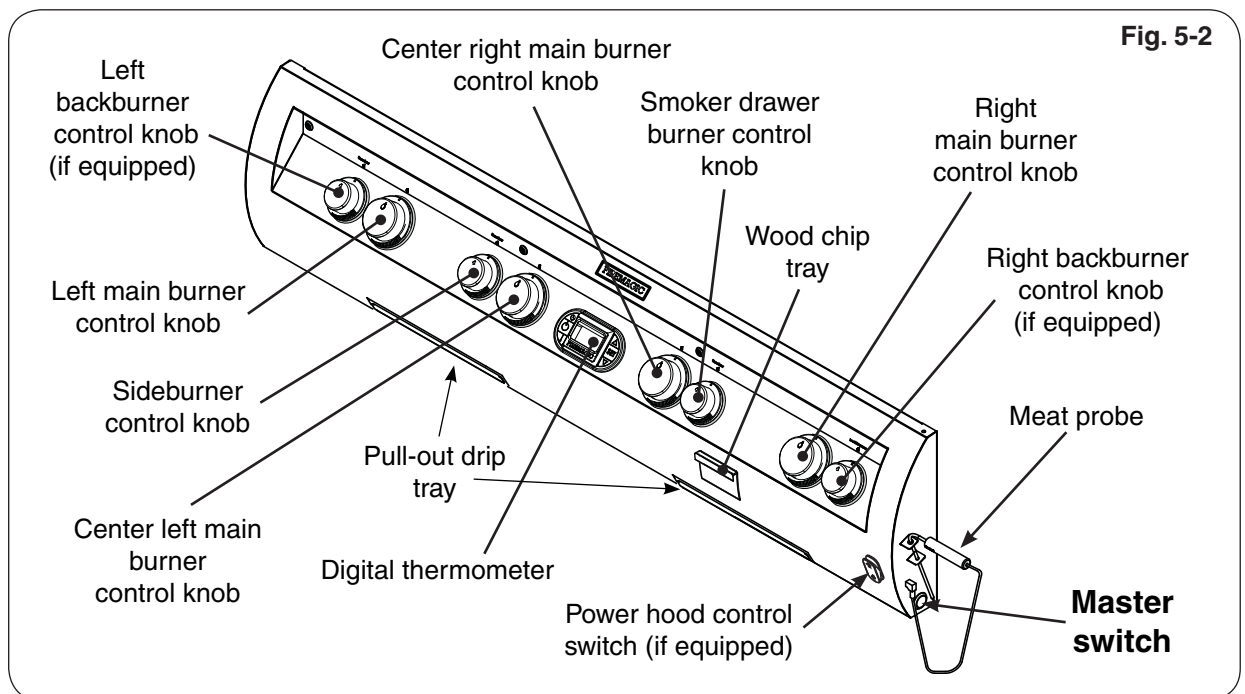


Fig. 5-2

6-Propane Safety

Gas Cylinders

IMPORTANT: READ AND FOLLOW ALL WARNINGS PROVIDED WITH THE PROPANE-GAS CYLINDER.

READ ALL SAFETY INSTRUCTIONS AND WARNINGS REGARDING THE USE OF PROPANE GAS FOUND IN YOUR OWNERS MANUAL.