

# Under-Counter Wine Cooler

**E24WC75HPS** professional series



### Integrated Electronic Controls

Reversible side-swing door with integrated electronic controls located conveniently on the top of the door ensure this unit will fit anywhere.



### Smooth-Glide™ Shelves

With a ball bearing system, shelves are so smooth they extend effortlessly.



### 48-Bottle Capacity

The space-efficient, under-counter wine cooler safely and conveniently stores up to 48 bottles.



### Tinted, Thermal, UV-Resistant Glass Door

Tinted, thermal-tempered glass door protects your wine collection from potentially harmful UV light rays.

## 24" UNDER-COUNTER SIDE-SWING WINE COOLER

Sabbath Mode (Star-K® Certified)	Yes
Capacity	6 Cu. Ft.
Maximum Storage	48 Bottles
Installation Type	Built In/Freestanding

### FEATURES

Integrated Electronic Controls	Yes
Fully Integrated Control Panel	Yes
Electronic Control Lock	Yes
Blue LED Display	Yes
Frost-Free Performance	Yes
Dynamic Condenser	Yes
PureAdvantage® Air Filter	Yes
Precision Set™ Controls	Yes
Display Temp Mode (°C or °F)	Yes
Door Open Acoustic Alarm	Yes
Power Failure Acoustic Alarm	Yes
Mute Sound Control	Yes
Theatre-Style Lighting	Yes
Exhibit Lighting with Manual Control	Yes
Power-On/Off Control	Yes
Vacation Mode	Yes
Smooth-Glide™ Full-Extension Racks	7
Black Soft Coat Wireform Racks	Yes
Maple Wood Front on Racks	Yes

### ADDITIONAL FEATURES

Professional Series Door and Handle Design	Yes
UV-Filtered, Tinted Glass Window	Yes
Self-Closing Door	Yes
Adjustable Leveling Legs	4

### ACCESSORIES

Field-Reversible Door Kit – 5303918374	Optional
--	----------

### SPECIFICATIONS

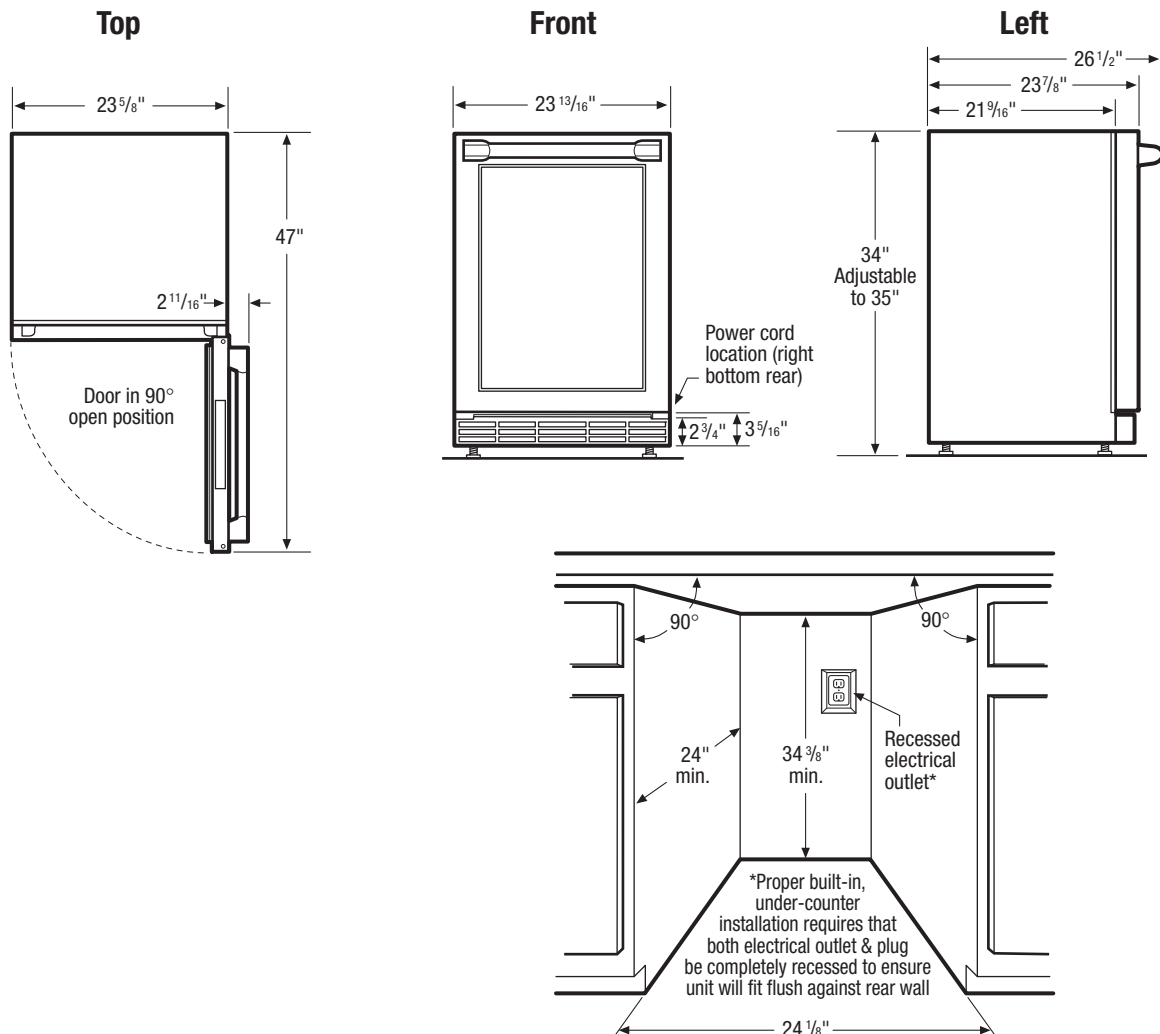
Overall Exterior Dimensions –	
Height (Adjustable)	34" – 35"
Width	23-13/16"
Depth	23-7/8"
(Including Handle)	26-1/2"
(with 90° Door Open)	47"
Temperature Range	45° F – 65° F
Power Supply Connection Location	Right Bottom Rear
Voltage Rating	120V/60Hz/15A
Connected Load (kW Rating) @ 120 Volts‡	0.15
Minimum Circuit Required (Amps)	15
Product Weight	159 Lbs.
Shipping Weight (Approx.)	166 Lbs.

Optional accessories available on the web at [electroluxicon.com](http://electroluxicon.com).

‡For use on adequately wired 110V, dedicated circuit having 2-wire service with a separate ground wire. Appliance must be grounded for safe operation.

NOTE: Always consult local and/or national electric codes. Refer to Product Installation Guide for detailed installation instructions on the web at [electroluxicon.com](http://electroluxicon.com).

Specifications subject to change.



## Under-Counter Wine Cooler Specifications

- Product Weight – 159 Lbs.
- Voltage Rating – 120V/60Hz/ 15 Amps
- Connected Load (kW Rating) @ 120 Volts = 0.15kW  
(For use on adequately wired 120V, dedicated circuit having 2-wire service with a separate ground wire. Appliance must be grounded for safe operation.)
- Amps @ 120 Volts = 6 Amps
- Electrical cable supplied.
- Always consult local and/or national electric codes.
- Unit is designed for either freestanding or built-in, under-counter installation.
- Built-in, under-counter installation does not require additional airspace for top, sides or rear of unit.
- Proper built-in, under-counter installation requires that both electrical outlet and plug be completely recessed to ensure unit will fit flush against rear wall.
- To allow for ease of installation and removal, it is recommended that cabinet rough opening dimensions be increased by at least 1/4" over product's dimensions.

- For proper ventilation, unit can NOT be installed behind closed doors; front grille MUST remain unobstructed.
- Must be positioned on flat, level surface, capable of supporting entire weight when fully loaded.
- Leveling legs supplied to adjust height and level unit.
- Do not position unit near any heat source to ensure optimum performance.
- Unit requires zero clearance when installing flush with cabinet or wall.
- When installing against cabinet or wall that extends beyond front edge of unit, 2-7/8" minimum handle clearance required to allow for 90° door swing, providing sliding shelves with necessary clearance. (Door swing can be reversed with installation of Field-Reversible Door Kit – 5303918374).

**Note:** For planning purposes only. Refer to Product Installation Guide on the web at [electroluxicon.com](http://electroluxicon.com) for detailed instructions.

## Optional Accessories

- Field-Reversible Door Kit – (5303918374).

## Electrolux Major Appliances, N.A.

USA • 250 Bobby Jones Expressway • Augusta, GA 30907 • 1-877-4electrolux (1-877-435-3287) • [electroluxicon.com](http://electroluxicon.com)  
 CANADA • 5855 Terry Fox Way • Mississauga, ON L5V 3E4 • 1-800-265-8352 • [electroluxicon.ca](http://electroluxicon.ca)