

SPECIFICATIONS

REEF™ TWO HANDLE CENTERSET LAVATORY FAUCET

Model

D301133

Description

- Ceramic disc valves
- 4 3/4" high spout, 4" spout length, laminar flow
- 50/50 touch down drain assembly
- 3 hole mount
- 1.2gpm (4.5L/min) maximum flow rate @60 psi
- Meets CEC Requirement

Standards



NSF/ANSI 372

• NSF/ANSI 372

MEETS ASME
A112.18.1M/A112.18.1

• ASME A112.18.1M/A112.18.1

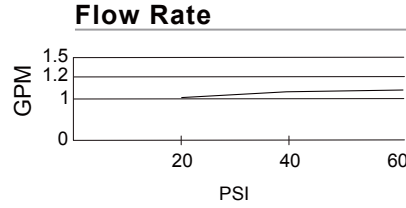


• ADA Accessibility Guidelines for Buildings and Facilities - 309.4 Operation for Operable Parts

•WaterSense Pending

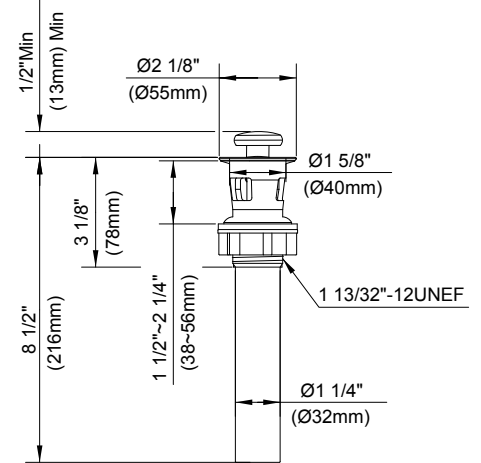
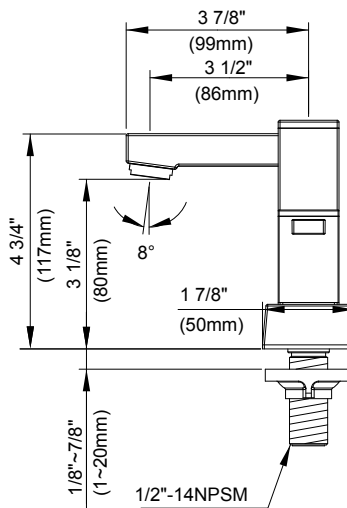
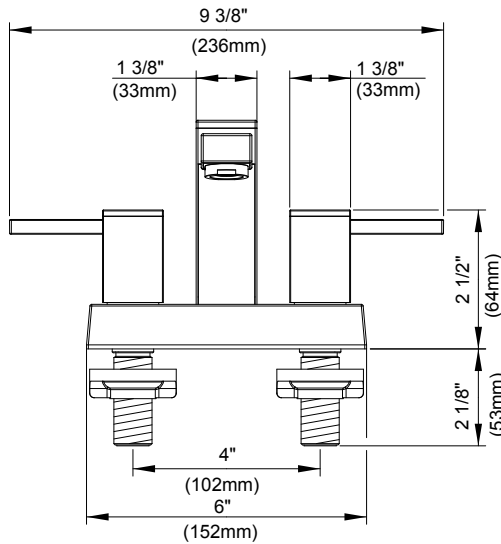
Warranty

Danze products are covered by a manufacturer's limited "lifetime" warranty for manufacturing defects.



Finishes Available

- Chrome
- Other: Refer to Price List for additional finish



Submittal Information:

Job Name: _____

Location: _____

Contractor: _____

Contact #: _____