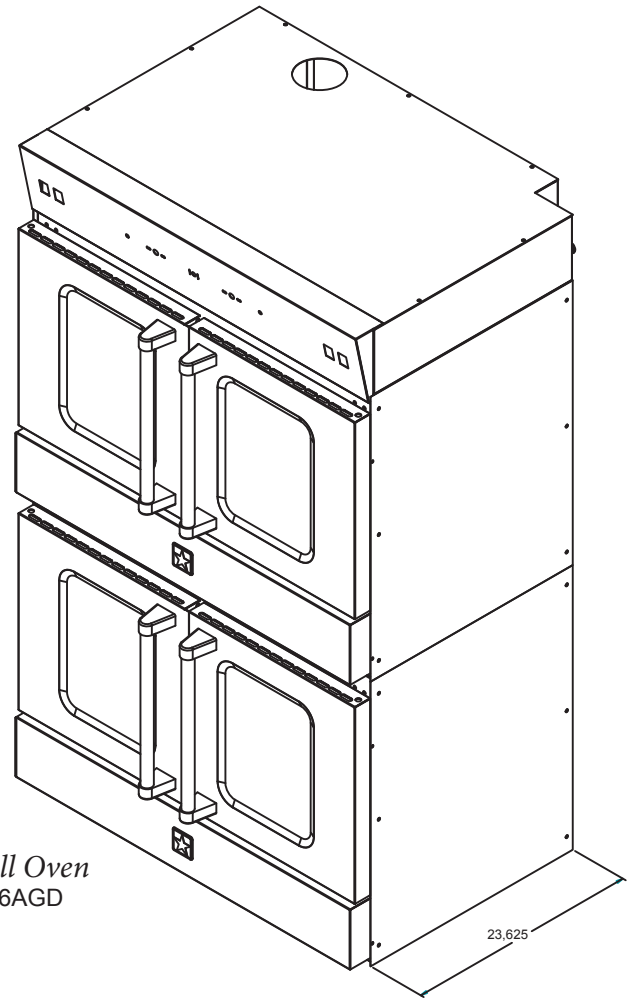


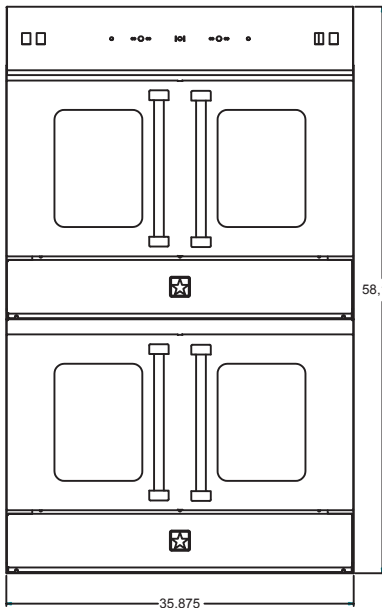
**BLUESTAR GAS WALL OVEN SERIES - 24", 30", 36"**

**BlueStar Gas Wall Oven Series**

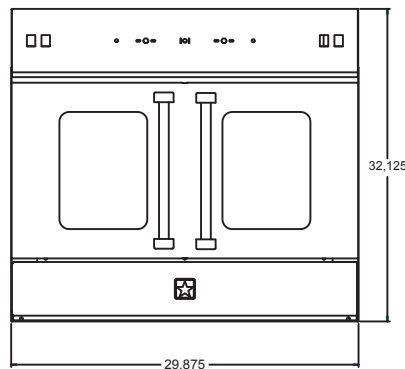
- 24", 30", and 36" ovens available as single or double ovens.
- 24" features swing door; 30" and 36" feature French doors.
- Powerful 30,000 BTU burner within each oven.
- 15,000 BTU ceramic infrared broiler.
- Largest oven capacity available on 30" and 36" wall oven.
- 30" and 36" ovens accommodate a full-size commercial 18" x 26" baking sheet.
- 24" oven accommodates a half size commercial 18" x 13" baking sheet.
- 24" depth for compatibility with standard kitchen cabinetry.
- Convection oven cooking.
- Coved corners for optimal heat circulation and easier cleaning.
- Heavy duty side by side door design for easy loading at any height.
- Full extension oven racks.
- High visibility dual halogen oven lights.
- Easy view oven door window system.
- Heavy-duty control knobs.
- Heat assist element standard for quick start-ups.
- Natural or propane.
- 1 year parts and labor warranty.



36" Double Wall Oven  
Model # BWO36AGD



36" Double Wall Oven  
Model # BWO36AGD



30" Wall Oven  
Model # BWO30AGS

